

SINGER
99W112

LIST OF PARTS



MACHINE No. 99w112

THE SINGER MANUFACTURING COMPANY

INDEX

	Page
Accessories	36
Buttonhole Cutting Blocks	42
" " Knives	43
Driving Equipment	38
Machine No. 99w112	5
Numerical List of Parts	53
Pattern Wheels	44
Shaft Pulleys	50
Singer Knife Trueing Fixture	51
Thread Lubricating Cup	52
" Unwinder	37

From the library of: Diamond Needle Corp

INSTRUCTIONS FOR ORDERING

In ordering from this list, use ONLY the PART number in the FIRST column.

The number stamped on a Sewing Machine Part is the number of the Single Part only, except when the part includes Set Screws, Clamping Screws, Studs and Rollers Spun on, Small Wires riveted, or Parts soldered together, etc., which it is necessary to furnish in combination.

Every combination of parts sent out has its specific number which, although not stamped on Parts (except in above case), must be used when ordering the combination.

Each number always indicates the SAME PART in whatever list it appears, or for whatever Machine.

The letters after some of the numbers indicate the style of finish only, as follows:

- A. Hardened, Polished, Nickel Plated and Buffed.
- B. Polished, Nickel Plated and Buffed.
- C. Hardened only.
- D. Polished only.
- E. Soft, not polished.
- F. Hardened and Polished.
- H. Blued.
- J. Nickel Plated only.
- R. Merlized.
- X. Black Oxide.
- XC. Hardened and Black Oxide.
- Y. Blade Nickel only.

These letters MUST BE USED when they appear in the list and AFTER the number, as in the list.

In this series:

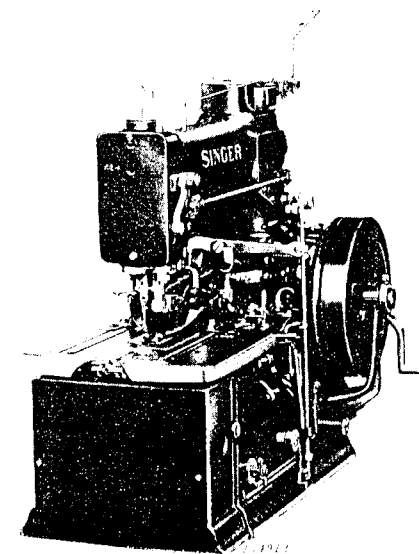
200001 to 201500 and 350001 to 351500 are Screw Numbers.
 201501 to 201800 and 351501 to 351800 are Nut Numbers.
 201801 to 202000 and 351801 to 352000 are Roller Numbers.
 202001 to 350000 are Numbers of Machine Parts.

The figures in the second column refer only to the plate in which the illustration of the part is shown and are NOT TO BE USED in ordering.

Two or more numbers over a cut indicate that the difference between such parts is not visible in an illustration.

Parts marked with an asterisk (*) are furnished when repairs are made at the factory.

LIST OF PARTS COMPLETE FOR



MACHINE No. 99w112

Automatic Eyelet End Buttonhole Machine for high grade buttonholes for general clothing line. Extra Long Travel. Sewing Capacity $\frac{3}{4}$ to 2 in. Cuts Straight or Eyelet End Buttonholes, with large or medium eye, without bar, $\frac{3}{4}$ to $1\frac{15}{16}$ in., and cuts Taper Bar Buttonholes from $\frac{3}{4}$ to $1\frac{3}{4}$ in. long.

Cuts the hole AFTER stitching.

From the Library of Diamond Needle Corp

No.	Plate	Arm	Name
*256041	-----	Arm	
204235	16348	"	Position Pin (2)
200020E	16348	"	Screw (4)
232488	16348	"	Shaft
232489	16348	"	Bevel Gear with 453C
232244	16348	"	" " " " Position Pin
453E	16348	"	" " " " Set Screw
232002	16348	"	Bushing (back) with 202260
232490	16348	"	" " " (front) with 202260
202260	16348	"	" " " Oil Packing (wick)
200100E	16348	"	" " " Screw (4)
232003	16348	"	Hand Wheel with two 200341C
200341C	16348	"	" " " " Set Screw
150D	16348	"	" " Screw

PARTS FOR MACHINE No. 99w112

No.	Plate	Name
250002	16348	Arm Side Cover
200110D	16348	" " " Screw
*265801	-----	Bed with 250070, 255509 to 255512, two each 127D, 4002S and eight 50168E
250009	16350	Bed End Cover
232025	16350	" " " Catch (2)
232026	16350	" " " " Position Pin (2)
250010	16350	" " " " Releaser (2)
204264	16350	" " " " " Stop Pin (2)
200047D	16350	" " " " " Screw (2)
201531H	16350	" " " " " Nut (2)
250011	16350	" " " " Support (left)
250012	16350	" " " " " (right)
457C	16350	" " " " " Set Screw (2)
250013	16367	" " " Extension
250397	16367	" " " Position Pin (2)
134D	16367	" " " Screw (4)
250014	16349	" " " Shaft
255521	16349	" " " Bevel Gear with two 453C
232719	16349	" " " " Position Pin (2)
453C	16349	" " " " " Set Screw
232030	16349	" " " Bushing (back) with 200260
202260	16349	" " " " " Oil Packing (wick)
232821	16349	" " " " " Tube (brass)
230795	16349	" " " " " " Pin
200100E	16349	" " " " " Screw (2)
250015	16349	" " " " " (front)
255527	16349	" " " " " Oil Tube (brass)
250451	16349	" " " " " " Bracket
330D	16349	" " " " " " " Screw
232244	16349	" " " " " Position Pin
200100E	16349	" " " " " Screw (2)
250017	16349	" " " Collar with two 1258E (2)
1258E	16349	" " " " " Set Screw
232725	16349	Belt Guard
9D	16349	" " " Screw
253169	16457	Buttonhole Cutting Block (steel), 2 in. (eye or taper bar)
350111C	16456	Buttonhole Cutting Block Pinch Screw
250468	16456	" " " " " Washer
252344	16456	" " " " " Stop
256043	16356	" " " " " Carrier Cam with 200364C
40025	16356	" " " " " Position Pin
200364C	16356	" " " " " Set Screw
256044	16356	" " " " " Lever with 990D, 201524E, 350377C and 351860
50031C	16351	Buttonhole Cutting Carrier Lever Adjusting Screw Stud

PARTS FOR MACHINE No. 99w112

No.	Plate	Name
201711C	16356	Buttonhole Cutting Carrier Lever Adjusting Screw Stud Nut
39541	16256	Buttonhole Cutting Carrier Lever Adjusting Screw Stud Nut Washer
250022	16356	Buttonhole Cutting Carrier Lever Adjusting Screw Stud Sleeve
351860	16356	Buttonhole Cutting Carrier Lever Roller
990D	16356	" " " " " " Cap Screw
350377C	16256	Buttonhole Cutting Carrier Lever Roller Screw Stud
201524E	16356	Buttonhole Cutting Carrier Lever Roller Screw Stud Nut
232038	16356	Buttonhole Cutting Carrier Lever Slide Block
250023	16458	Buttonhole Cutting Disengaging Lever
57C	16458	" " " " " Hinge Screw
207213	16458	Buttonhole Cutting Disengaging Lever Spring
250532	16458	Buttonhole Cutting Disengaging Push Rod
2273	16458	" " " " " Pin
255171	16406	Buttonhole Cutting Driving Wheel with 446E
255544	16406	Buttonhole Cutting Driving Wheel Lock
232044	16406	" " " " " Spring
200051E	16406	Buttonhole Cutting Driving Wheel Lock Spring Screw
228026	16406	Buttonhole Cutting Driving Wheel Lock Spring Screw Washer
255545	16406	Buttonhole Cutting Driving Wheel Lock Stop Plate
162D	16406	Buttonhole Cutting Driving Wheel Lock Stop Plate Screw (2)
255546	16406	Buttonhole Cutting Driving Wheel Lock Stop Plate Screw Lock Washer (2)
232150	16406	Buttonhole Cutting Driving Wheel Position Pin
446E	16406	Buttonhole Cutting Driving Wheel Set Screw
252337	16457	Buttonhole Cutting Knife (.100 x .180 eye)
252345	16457	Buttonhole Cutting Knife Adjusting Block
1100D	16457	" " " " " Screw
252064	16457	Buttonhole Cutting Knife Base Plate

From the library of Diamond Wheel Co.

No.	Plate	Name
201474E	16456	Buttonhole Cutting Knife Base Plate Ad-justing Screw (2)
1454E	16457	Buttonhole Cutting Knife Base Plate Screw
250475	16457	Buttonhole Cutting Knife Clamping Lever
350114C	16457	" " " " " " Hinge Screw
250030	16457	Buttonhole Cutting Knife Clamping Plate
252065	16456	" " Lever (lower) with 251269 and 251270
250032	16450	Buttonhole Cutting Lever (lower) Cam with 453C
40025	16450	Buttonhole Cutting Lever (lower) Cam Position Pin
453C	16450	Buttonhole Cutting Lever (lower) Cam Set Screw
252066	16456	Buttonhole Cutting Lever (upper) with 232482, 250468, 350111C and two 232483
252067	16450	Buttonhole Cutting Lever (upper) Cam with 453C
40025	16450	Buttonhole Cutting Lever (upper) Cam Position Pin
453C	16450	Buttonhole Cutting Lever (upper) Cam Set Screw
252068	16456	Buttonhole Cutting Lever Bracket with 350146E
255152	16456	Buttonhole Cutting Lever Bracket Gib (left)
250037	16456	Buttonhole Cutting Lever Bracket Gib (right)
232380	16456	Buttonhole Cutting Lever Bracket Gib Ad-justing Plate (2)
219E	16456	Buttonhole Cutting Lever Bracket Gib Ad-justing Plate Screw (4)
206482	16456	Buttonhole Cutting Lever Bracket Gib Ad-justing Plate Screw Washer (4)
350304E	16456	Buttonhole Cutting Lever Bracket Gib (left) Screw (3)
201176E	16456	Buttonhole Cutting Lever Bracket Gib (right) Screw (3)
250038	16456	Buttonhole Cutting Lever Hinge Stud
350146E	16456	" " " " " " Set Screw
251268	16456	Buttonhole Cutting Lever Spring
251269	16456	" " " " Bracket (lower)
251270	16456	Buttonhole Cutting Lever Spring Bracket (lower) Pin
232482	16456	Buttonhole Cutting Lever Spring Bracket (upper)

No.	Plate	Name
232483	16456	Buttonhole Cutting Lever Spring Bracket (upper) Pin
252069	16457	Buttonhole Cutting Pressure Wedge with 232056
*201155D	16457	Buttonhole Cutting Pressure Wedge Ad-justing Screw
250536	16457	Buttonhole Cutting Pressure Wedge Ad-justing Screw 201155D with 2273, 201672E, 232054 and 232055
232054	16457	Buttonhole Cutting Pressure Wedge Ad-justing Screw Collar
232055	16457	Buttonhole Cutting Pressure Wedge Ad-justing Screw Collar Position Pin
232466	16457	Buttonhole Cutting Pressure Wedge Ad-justing Screw Lock Spring
662D	16457	Buttonhole Cutting Pressure Wedge Ad-justing Screw Lock Spring Screw
201672E	16457	Buttonhole Cutting Pressure Wedge Ad-justing Screw Nut
2273	16457	Buttonhole Cutting Pressure Wedge Ad-justing Screw Nut Pin
232056	16459	Buttonhole Cutting Pressure Wedge Boss
232057	16457	" " " " Post with 662D and 232466
200122H	16457	Buttonhole Cutting Pressure Wedge Post Screw
256182	16450	Buttonhole Cutting Shaft
255131	16450	" " " Hand Crank with 350289C
350290H	16450	Buttonhole Cutting Shaft Hand Crank Cap Screw
350289C	16450	Buttonhole Cutting Shaft Hand Crank Posi-tion Screw
255132	16450	Buttonhole Cutting Shaft Hand Crank Wash-er
256120	16450	Buttonhole Cutting Shaft Oil Packing (wick)
256211	16450	Buttonhole Cutting Shaft Pulley (loose) with 255021, 255144, 255158, 255168, two each 172D, 183C, 235404, four 210750 and eight 232817
256002	16450	Buttonhole Cutting Shaft Pulley Bushing
255168	16450	" " " " Oil Cup
232817	16450	" " " " Stud
256212	16450	" " " Support Bracket
250397	16450	" " " " " Position Pin (2)
145E	16450	Buttonhole Cutting Shaft Support Bracket Screw (2)

From the library of Diamond Needles Corp.

No.	Plate	Name
250042	16406	Buttonhole Cutting Starting Lever with 201085C
232718	16406	Buttonhole Cutting Starting Lever Hinge Stud
200530E	16406	Buttonhole Cutting Starting Lever Hinge Stud Set Screw
232064	16406	Buttonhole Cutting Starting Lever Latch
350148D	16406	" " " " " Hinge Screw
201531E	16406	Buttonhole Cutting Starting Lever Latch Hinge Screw Nut
232065	16406	Buttonhole Cutting Starting Lever Latch Spring
201218E	16406	Buttonhole Cutting Starting Lever Latch Spring Screw Stud (2)
200E	16406	Buttonhole Cutting Starting Lever Latch Stop Screw
250043	16406	Buttonhole Cutting Starting Lever Plate
200577XC	16406	" " " " " Screw (2)
201085C	16406	Buttonhole Cutting Starting Lever Restoring Screw Stud
250456	16458	Buttonhole Cutting Starting Lever Safety Plate
208E	16458	Buttonhole Cutting Starting Lever Safety Plate Screw (2)
250044	16406	Buttonhole Cutting Starting Lever Spring
350105E	16406	" " " " " Screw Stud
250045	16458	Buttonhole Cutting Trip Lever with 460C
250046	16458	" " " " Bracket
232154	16458	" " " " " Position Pin (2)
161D	16458	Buttonhole Cutting Trip Lever Bracket Screw (2)
2049	16458	Buttonhole Cutting Trip Lever Position Pin
250047	16458	Buttonhole Cutting Trip Lever Safety Lever with 237F
232343	16458	Buttonhole Cutting Trip Lever Safety Lever Position Pin
237F	16458	Buttonhole Cutting Trip Lever Safety Lever Set Screw
460C	16458	Buttonhole Cutting Trip Lever Set Screw
250048	16458	" " " " Shaft
250049	16458	" " " " Spring
201432C	16458	" " " Screw Stud
1521E	16458	" " " " " Nut

No.	Plate	Name
255062	16458	Buttonhole Cutting Trip Screw Stud Shim (.010 in.thick)
255063	16458	Buttonhole Cutting Trip Screw Stud Shim (.025 in.thick)
*256004	-----	Driving Wheel (loose)
256206	16349	" " 256004 with 250398 and 256091
256005	16349	" " with 200383C
256007	16349	" " Clutch Stud (made in .212, .213, .214 and .215 in.diam., state size required)
8873	16349	Driving Wheel Position Pin
200383C	16349	" " Set Screw
256006	16349	" " Stop Cam
251025	16349	" " " " Position Collar with 1036C
1036C	16349	Driving Wheel Stop Cam Position Collar Set Screw
250417	16349	Driving Wheel Stop Cam Spring
200096D	16349	" " " " " Position Screw
232520	16348	Face Plate
641D	16348	" " Screw (2)
232521	16465	Feed Adjusting Gear
250052	16465	" " " Bracket
250053	16465	" " " " Clamping Post
690D	16465	" " " " " Screw (2)
350113C	16465	Feed Adjusting Gear Bracket Clamping Screw
250473	16465	Feed Adjusting Gear Bracket Clamping Screw Washer
201428C	16465	Feed Adjusting Gear Screw Stud
1518J	16465	" " " " " Nut
252071	16467	" Driving Differential Gear (Large)
252072	16467	" " " " (small)
232721	16467	" " " " Position Pin
201402E	16467	" " " " Set Screw
252073	16467	" " " " Shaft
252074	16467	" " Gear (intermediate)
252075	16467	" " " " Bracket
250399	16467	" " " " " Position Pin (2)
143E	16467	Feed Driving Gear (intermediate) Bracket Screw (2)
350118C	16467	Feed Driving Gear (intermediate) Screw Stud
252076	16465	Feed Wheel with three 232382
250057	16465	" " Driving Pawl (3)
201385C	16465	" " " " Hinge Screw (3)

No.	Plate	Name
250058	16465	Feed Wheel Driving Pawl Spring (3)
232382	16465	" " " " " Pin
1449H	16465	" " " " " Screw (3)
350071E	16465	" " Friction Ring Adjusting Screw
201522E	16465	" " " " " " "
		Lock Nut
232131	16465	Feed Wheel Friction Ring Adjusting Screw Washer (2)
250059	16458	Feed Wheel Friction Ring Bracket
200070C	16458	" " " " " Screw (2)
250060	16465	" " " " " Section (long)
250061	16465	" " " " " (short)
232135	16465	" " " " " Spring
255538	16465	" " Ring
250062	16465	" " " Gib (3)
209F	16465	" " " " Screw (6)
201362C	16465	" " Screw Stud
250413	16470	Finger Starting Lever with 250435 and 250436
250419	16470	Finger Starting Lever Hinge Block
350080D	16470	" " " " " Hinge Screw
252212	16458	Finger Starting Lever (intermediate)
255080	16458	" " " " " Bracket with 208E and 991C
208E	16458	Finger Starting Lever (intermediate) Bracket Pinch Screw
158E	16458	Finger Starting Lever (intermediate) Bracket Screw
72D	16458	Finger Starting Lever (intermediate) Hinge Screw
646F	16458	Finger Starting Lever (intermediate) Operating Stud
251292	16458	Finger Starting Lever (intermediate) Operating Stud Collar with 646F
2273	16458	Finger Starting Lever (intermediate) Operating Stud Collar Position Pin
200097C	16470	Finger Starting Lever Screw
228026	16470	" " " " Washer
251518	16470	" " " Spring
250435	16470	" " " Stud (back)
250436	16470	" " " " (front)
232539	16467	Intermittent Feed Driving Wheel with two 465C
*252077	16467	Intermittent Feed Driving Wheel Bracket
232244	16467	" " " " " " " Position Pin (2)
129E	16467	Intermittent Feed Driving Wheel Bracket Screw (4)

No.	Plate	Name
250589	16467	Intermittent Feed Driving Wheel Driving Stud
204648	16467	Intermittent Feed Driving Wheel Driving Stud Position Pin
232541	16467	Intermittent Feed Driving Wheel Position Pin
465C	16467	Intermittent Feed Driving Wheel Set Screw
232542	16467	" " " " " Shaft
252078	16467	" " " " " Gear with 465C
232721	16467	Intermittent Feed Driving Wheel Shaft Gear Position Pin
465C	16467	Intermittent Feed Driving Wheel Shaft Gear Set Screw
252615	16459	Loop Retainer (left)
256049	16459	" " " Carrier
256050	16459	" " (right)
256051	16459	" " Carrier
250068	16459	" " Adjusting Block (2)
256052	16349	" " Cam with 447E
40025	16349	" " " Position Pin
447E	16349	" " " Set Screw
250070	16459	" " Carrier Link (2)
201431C	16459	" " " " Screw (4)
250071	16459	" " " Shaft
250072	16459	" " " " Collar
735E	16459	" " " " Set Screw
256008	16459	" " Driving Bar
201726C	16459	" " " " Adjusting Nut (3)
256009	16459	" " " " " Washer (2)
201728C	16459	Loop Retainer Driving Bar Lock Nut
350388H	16459	" " Screw (2)
250491	16459	" " " Washer (2)
250074	16459	" " Shim (.005 in. thick)
250449	16459	" " " (.010 in. thick)
250450	16459	" " " (.020 in. thick)
250537	16459	" " " (.030 in. thick)
256010	16349	" " Slide with 201943
250076	16349	" " " Gib (lower) (2)
250077	16349	" " " " (upper) (2)
190D	16349	" " " " Screw (6)
*250078	16349	" " " Guide Extension
40025	16349	" " " " " Position Pin (2)
127D	16349	Loop Retainer Slide Guide Extension Screw (2)
201896	16349	Loop Retainer Slide Roller

No.	Plate	Name
201943	16349	Loop Retainer Slide Roller 201896 with 250429
250429	16349	Loop Retainer Slide Roller Stud
253472	16459	Looper (non-threaded)
252507	16459	" (threaded)
256053	16459	" Bracket with 735E
201722C	16459	" " Adjusting Nut
201722C	16459	" " " " Locking Nut
23421	16459	" " Dogging Hole Plug (leather)
250082	16460	" " Frame Chip Guard
401E	16460	" " " " Screw (3)
232555	16459	" " Rotating Gear with 906E
250084	16459	" " " " Position Pin
906E	16459	" " " " Set Screw
250085	16459	" Carrier
201433C	16459	" " Hinge Screw
250086	16459	" " Link
201099C	16459	" " Hinge Screw (2)
256011	16459	" Driving Bar
201727C	16459	" " Adjusting Nut (4)
256012	16459	" " " " Washer (2)
256013	16460	" " Connection with 1120C
1120C	16460	" " Set Screw
250089	16460	" " Slide Rod
250090	16460	" " " " Bushing (lower)
250091	16460	Looper Driving Connection Slide Rod Bushing (upper)
256015	16460	Looper Driving Crank
256016	16460	" " Bushing
200089E	16460	" " " Screw (2)
256017	16460	" " Link
250094	16460	" " Gear with 735E
250095	16460	" " Position Pin
735E	16460	" " Set Screw
199C	16460	" " Link Cap Screw
350278C	16460	" " Hinge Screw
250097	16460	" " Disc
256014	16460	" " Bearing
51311E	16460	" " " Screw (3)
350365C	16460	" " Cap Screw
250098	16460	" " Gear
176D	16460	" " Screw (3)
201898	16349	" " Roller
201953	16349	" " 201898 with 201144E and 250099 (2)
201144E	16349	Looper Driving Roller Cap Screw
250099	16349	" " Stud

No.	Plate	Name
*256018	16460	Looper Frame
250462	16460	" " Chip Guard
232866	16460	" " Position Pin (2)
201082E	16460	" " Screw (3)
190D	16459	" Screw (2)
250101	16459	" Washer (2)
232270	16471	" Thread and Cord Clamping Spring (long)
232271	16471	Looper Thread and Cord Clamping Spring (short)
200186B	16471	Looper Thread and Cord Clamping Spring Screw
232272	16471	Looper Thread and Cord Cutter
200186B	16471	" " " " Screw
256054	16460	" " Controller
256055	16460	" " Bracket (adjustable)
1423F	16460	" " " " Screw (2)
217D	16460	Looper Thread Controller Screw (2)
18859	16460	" " Guide
32012	16460	" " Tension Disc (2)
253530	16415	" " Releaser
253531	16415	" " Lever
350224E	16415	" " " " Hinge Screw
253532	16415	" " " " Rod
253535	16415	" " " " Collar with 237F (2)
237F	16415	Looper Thread Tension Releaser Lever Rod Collar Set Screw
251170	16415	Looper Thread Tension-Releaser Lever Spring
1550J	16415	Looper Thread Tension Releaser Nut
7071	16415	" " " " Washer
253534	16365	" " " " Operating Cam Block with 219F
219F	16365	Looper Thread Tension Releaser Operating Cam Block Set Screw
253533	16415	Looper Thread Tension Releaser Operating Lever with 237F
237F	16415	Looper Thread Tension Releaser Operating Lever Set Screw
232515	16460	Looper Thread Tension Spring
1043C	16460	" " Stud
190D	16460	" " " Set Screw
1560C	16460	" " Thumb Nut
232516	16445	" " Tube (brass)
251622	16445	" " Bracket (2)
190D	16445	" " " Screw (2)

No.	Plate	Name
256056	16459	Lower Cord Leader
217E	16459	" " " Screw
253613	16459	" " " Tension Spring
590E	16459	" " " " " Screw (2)
32012	16445	" " Tension Disc (2)
232515	16445	" " " Spring
637C	16445	" " " Stud
1560C	16445	" " " Thumb Nut
232516	16445	" " " Tube (brass)
250105	16348	Needle Bar Driving Crank with 200394C and two 200382C
40025	16348	Needle Bar Driving Crank Position Pin
200394C	16348	" " " " Set Screw
256183	16466	" Driving Bar with 620C
232177	16466	" " " Bushing
232176	16466	" " " Collar with 200083E
200083E	16466	" " " " Pinch Screw
232178	16348	" " " Link
232709	16348	" " " " Hinge Stud with 222598
222598	16348	Needle Driving Bar Link Hinge Stud 011 Packing (wick)
200382C	16348	Needle Driving Bar Link Hinge Stud Set Screw
250108	16348	Needle Driving Bar Swivel with 248821
248821	16348	" " " " "011 Packing (wick)*
256057	16459	" Guard
230E	16459	" " " Screw
230E	16459	" " " (support end)
256180	16466	" Holder with 906F
201482D	16466	" " Gauge Plate Adjusting Screw
250112	16466	" " " " " Block
201670C	16466	" " " " " Adjusting Nut
201670C	16466	" " " " " " " "
		Lock Nut
256066	16466	Needle Holder Gauge Plate Block Bushing
181D	16466	" " " " " " " "
		Screw (3)
256059	16466	Needle Holder Gauge Plate Body
256060	16466	" " " " " Center Plate (for narrow bight)
350379D	16466	Needle Holder Gauge Plate Clamping Screw
1550J	16466	" " " " " " " "
		Nut
200118F	16466	Needle Holder Gauge Plate Screw (2)
256061	16466	" " " " " Shim
256064	16466	" " " " " Side Plate (left)

No.	Plate	Name
256062	16466	Needle Holder Gauge Plate Side Plate (right)
256063	16466	Needle Holder Gauge Plate (for narrow bight) complete, Nos. 256059, 256060, 256062, 256064, two each 1550J, 256061 and 350379D
208E	16466	Needle Holder Screw (2)
256181	16466	" " Slide
256068	16466	" " " Lever with 256069 and 351861
350147C	16466	Needle Holder Slide Lever Hinge Screw
351861	16466	" " " " " Roller
256069	16466	" " " " " Stud
256203	16466	" " " " " Stud
350416E	16466	" " " " " " Screw
256204	16466	" " " " " " Washer
256184	16466	" " " " Stud
620C	16466	" " " " " Set Screw
250117	16466	" Rotating Gear with 735E
250118	16466	" " " Key
735E	16466	" " " Set Screw
906F	16466	" Set Screw
250119	16410	" Thread Guide
232792	16410	" " Leader
1664E	16410	" " " Nut
256200	16410	" " Pull-off (adjustable)
1550J	16410	" " " Lock Nut
256070	16410	" " Take-up with 201374E and 201937
256072	16410	Needle Thread Take-up Bracket
256073	16410	" " " " " Cover
1423F	16410	" " " " " " Screw (4)
250399	16410	Needle Thread Take-up Bracket Position Pin
161D	16410	Needle Thread Take-up Bracket Screw (3)
256074	16410	" " " " Cam with two 457C
232721	16410	" " " " " Position Pin
457C	16410	" " " " " Set Screw
256075	16410	" " " " " Shaft
232673	16410	" " " " " Gear with two 448C
40025	16410	Needle Thread Take-up Cam Shaft Gear Position Pin
448C	16410	Needle Thread Take-up Cam Shaft Gear Set Screw
350268C	16410	Needle Thread Take-up Hinge Screw
201873	16410	" " " " Roller
201937	16410	" " " " " 201873 with 201144E and 232686

From the library of: Diamond Needle Corp

No.	Plate	Name
201144E	16400	Needle Thread Take-up Roller Cap Screw
232686	16410	" " " " Stud
201374E	16410	" " " " " Cap Screw
256071	16410	" " " " Thread Guide
1423F	16410	" " " " " Screw (2)
32012	16410	" " Tension Disc (2)
991C	16464	" " " Releasing Adjusting Screw
1550J	16464	Needle Thread Tension Releasing Adjusting Screw Nut
256076	16410	Needle Thread Tension Releasing Arm
974F	16410	" " " " " Hinge Screw
256189	16464	Needle Thread Tension Releasing Block with 200F
200E	16464	Needle Thread Tension Releasing Block Set Screw
32572	16410	Needle Thread Tension Releasing Disc
256077	16464	" " " " " Lever
255010	16464	" " " " " Bracket
200346C	16464	" " " " " " Adjusting Screw
145E	16464	Needle Thread Tension Releasing Lever Bracket Screw (lower)
200062H	16464	Needle Thread Tension Releasing Lever Bracket Screw (upper)
35D	16464	Needle Thread Tension Releasing Lever Hinge Screw
255011	16464	Needle Thread Tension Releasing Lever Spring
39635	16410	Needle Thread Tension Releasing Pin
256190	16464	" " " " " Rod
256191	16464	" " " " " Bracket
190D	16464	" " " " " " Screw (2)
256020	16464	Needle Thread Tension Releasing Rod Plate
792D	16464	Needle Thread Tension Releasing Rod Plate Screw (2)
208E	16464	Needle Thread Tension Releasing Rod Screw
350399C	16410	Needle Thread Tension Stud
256185	16410	" " " " Spring
1560C	16410	" " " " Thumb Nut
250140	16348	" Vibrating Adjusting Link
741C	16348	" " " " Hinge Screw
350076C	16348	" " " " Stud
1671C	16348	" " " " Nut

No.	Plate	Name
39532	16348	Needle Vibrating Adjusting Stud Sleeve
255126	16348	" " " " Bell Crank
250142	16348	" " " " " Connection
*38444	-----	" " " " " End Bearing (back)
38446	16348	Needle Vibrating Bell Crank Connection End Bearing 38444, with 42524, 50016C and two 175E
50016C	16348	Needle Vibrating Bell Crank Connection End Bearing (back) Ball Screw Stud
1636E	16348	Needle Vibrating Bell Crank Connection End Bearing (back) Ball Screw Stud Nut
*42524	-----	Needle Vibrating Bell Crank Connection End Bearing (back) Cap
175E	16348	Needle Vibrating Bell Crank Connection End Bearing (back) Cap Screw
1698C	16348	Needle Vibrating Bell Crank Connection End Bearing (back) Check Nut
*38443	-----	Needle Vibrating Bell Crank Connection End Bearing (front)
250143	16348	Needle Vibrating Bell Crank Connection End Bearing 38443 with 42525, 201449C and two 175E
201449C	16348	Needle Vibrating Bell Crank Connection End Bearing (front) Ball Screw
*42525	-----	Needle Vibrating Bell Crank Connection End Bearing (front) Cap
175E	16348	Needle Vibrating Bell Crank Connection End Bearing (front) Cap Screw
1697C	16348	Needle Vibrating Bell Crank Connection End Bearing (front) Check Nut
350282C	16348	Needle Vibrating Bell Crank Hinge Screw
256078	16467	" " " " Lever
256079	16467	" " " " Hinge Stud
443C	16467	" " " " " Set Screw
256178	16466	" " " " Ring with 462C
232421	16466	" " " " Guide Stud
200083C	16466	" " " " " Set Screw
232343	16466	" " " " Position Pin
462C	16466	" " " " Set Screw
256179	16466	" " " " Rod
250146	16466	" " " " Guide with 1230E
232343	16466	" " " " Position Pin
1230E	16466	" " " " Set Screw
256080	16466	" " " " Switch
200308D	16466	" " " " Hinge Screw

No.	Plate	Name
256836	16472	Pattern Wheel (adjustable), for button-holes from 1-3/4 to 2 in. (medium eye and straight), with 256205 and two 205D
201668E	16445	Pattern Wheel Clamping Nut
256205	16472	" " Position Plate
205D	16472	" " " " Screw
250148	16445	" " " Stud
250372	16472	" " Rapid Feed Trip Point
203E	16472	" " " " " Screw
252265	16472	" " Ring (adjustable)
252299	16472	" " " 252265 with 252275, 252276 two each 211E and 250444
252275	16472	Pattern Wheel Ring Adjusting Segment (curved rise)
252276	16472	Pattern Wheel Ring Adjusting Segment (straight drop)
211E	16472	Pattern Wheel Ring Adjusting Segment Screw
250444	16472	Pattern Wheel Ring Adjusting Segment Screw Washer
391D	16472	Pattern Wheel Ring Screw
256837	16472	Pattern Wheel (adjustable), for button-holes from 1-3/4 to 2 in. (medium eye and straight) complete, Nos. 252299, 256836, three each 203E, 391D and 250372
251298	16445	Pattern Wheel Shaft with 250148
250150	16445	" " " Bevel Gear with 168D
40025	16445	" " " " " Position Pin
168D	16445	" " " " " Set Screw
250151	16445	" " " Bushing (left)
145E	16445	" " " " " Screw (2)
250152	16445	" " " " " (right)
647E	16445	" " " " " Screw (2)
232600	16445	" " " Collar with two 453C
453C	16445	" " " " " Set Screw
250154	16445	Rapid Feed Clutch Disengaging Lever (3)
253481	16445	" " " " " Sleeve
250156	16445	" " " Driving Disc
1230F	16445	" " " " " Screw (4)
201897	16445	" " " Roller (3)
255095	16445	" " " " " Carrier with 624E
40025	16445	" " " " " Position Pin
624E	16445	" " " " " Set Screw
250153	16445	" " " " " Retainer (3)
208E	16445	" " " " " Screw (3)
255096	16445	" " " " " Spring (3)

No.	Plate	Name
255097	16445	Rapid Feed Clutch Roller Spring Guide Pin (3)
250158	16367	Rapid Feed Crank Shaft
250159	16367	" " " " Bushing (back)
250160	16367	" " " " " " Oil Tube (lower) (brass)
250495	16367	Rapid Feed Crank Shaft Bushing (back) Oil Tube (upper) (brass)
250161	16367	Rapid Feed Crank Shaft Bushing (front)
436C	16367	" " " " " Set Screw (2)
232600	16367	Rapid Feed Crank Shaft Collar with two 453C
453C	16367	Rapid Feed Crank Shaft Collar Set Screw
250452	16367	" " " " " Gear with 458C
232719	16367	" " " " " Position Pin
458C	16367	" " " " " Set Screw
202260	16367	" " " " " Oil Packing (wick) (2)
*256091	-----	Rapid Feed Driving Gear
250398	16349	" " " " " Key
250164	16364	" " " Gear Guard
641D	16364	" " " " " Screw (2)
250534	16364	" " " Intermediate Gear (bronze)
201447C	16364	" " " " " Screw Stud
1510E	16364	" " " " " " Nut
250167	16364	" " " " " " Washer
250405	16364	Rapid Feed Intermediate Gear Screw Stud Washer
252266	16372	Rapid Feed Slide Bar
250174	16372	" " " " " Bushing (left)
145E	16372	" " " " " " Screw (2)
250175	16372	Rapid Feed Slide Bar Bushing (right)
647E	16372	" " " " " " Screw (2)
252269	16372	Rapid Feed Slide Bar Collar with 448C
40025	16372	" " " " " " Position Pin
448C	16372	" " " " " " Set Screw
256065	16372	" " " " " Fork Connection with 889C
253538	16372	Rapid Feed Slide Bar Fork Connection Extension Plate
176D	16372	Rapid Feed Slide Bar Fork Connection Extension Plate Screw (2)
350321E	16372	Rapid Feed Slide Bar Fork Connection Position Screw

No.	Plate	Name
889C	16372	Rapid Feed Slide Bar Fork Connection Set Screw
350385C	16372	Rapid Feed Slide Bar Fork Connection Screw Stud
252306	16367	Rapid Feed Slide Bar Lock
252271	16367	" " " " " Block
232055	16367	" " " " " Position Pin
704E	16367	" " " " " Screw
350262E	16367	" " " " " Hinge Screw
250409	16367	" " " " " Spring
1241E	16372	" " " " " Screw Eye
250194	16367	" " " " " Trip
56C	16367	" " " " " Hinge Screw
252273	16372	" " " " " Spring
350293E	16372	" " " " " Cap Screw
252274	16372	" " " " " Washer
250180	16462	" " Starting Latch
199C	16462	" " " " Cap Screw
201446C	16462	" " " " Hinge Screw Stud
250181	16462	" " " Lever with 1454E
255053	16462	" " " (operated by stop motion) with 704C, 1454E, 203213 and 255054
255064	16462	Rapid Feed Starting Lever Latch
350256C	16462	" " " " Hinge Screw
255092	16462	Rapid Feed Starting Lever Latch Spring
217E	16462	" " " " " Screw
7071	16462	" " " " " Washer
253512	16462	Rapid Feed Starting Lever Latch Stop Washer
193D	16462	Rapid Feed Starting Lever Latch Stop Washer Screw
1330C	16407	Rapid Feed Starting Lever Operating Screw Stud
201445E	16462	Rapid Feed Starting Lever Position Screw (2)
1454E	16462	Rapid Feed Starting Lever Set Screw
250185	16462	" " " " Shaft
204197	16462	" " " " Collar with 200113F
200113F	16462	Rapid Feed Starting Lever Shaft Collar Set Screw
250409	16462	Rapid Feed Starting Lever Spring
1241E	16462	" " " " " Screw Eye
255054	16462	" " " " Stud
704C	16462	" " " " Set Screw

No.	Plate	Name
203213	16462	Rapid Feed Starting Lever Stud Spring
253527	16367	" " " Pawl
253526	16367	" " " Bell Crank with 202299
11C	16367	Rapid Feed Starting Pawl Bell Crank Hinge Screw
202299	16367	Rapid Feed Starting Pawl Bell Crank Oil Packing (wick)
250171	16367	Rapid Feed Starting Pawl Bell Crank Slide Block (C)
250172	16367	Rapid Feed Starting Pawl Guide
181D	16367	" " " " " Screw (C)
350260C	16367	" " " " Hinge Screw
1655E	16367	" " " " " Nut
256177	16367	" " " " Oiling Pad (felt)
181D	16367	" " " " " Screw
9525	16367	" " " " " Washer
250188	16367	Rapid Feed Starting Pawl Spring
201454E	16462	" " " " " Screw Eye
1521E	16462	" " " " " Nut
250189	16462	Rapid Feed Starting Trip Lever with 1454E
251623	16462	" " " " " Overthrow Stop
350229E	16462	Rapid Feed Starting Trip Lever Overthrow Stop Screw
7071	16462	Rapid Feed Starting Trip Lever Overthrow Stop Screw Washer
201445E	16462	Rapid Feed Starting Trip Lever Position Screw
201437C	16462	Rapid Feed Starting Trip Lever Screw Stud
1454E	16462	Rapid Feed Starting Trip Lever Set Screw
256192	16464	" " " Trip Latch
256193	16464	" " " " Bracket with 200E
256194	16464	" " " " Disengaging Plate
106D	16464	" " " " " Hinge Screw
100D	16464	Rapid Feed Trip Latch Hinge Screw
200E	16464	" " " " Bracket Set Screw
255157	16464	" " " " Spring
201160E	16464	" " " " " Screw Eye
256195	16464	" " " " Lever with two 200E
200E	16464	" " " " Set Screw
255123	16364	" " Tripping Pawl
1410D	16364	" " " " Cap Screw
255124	16364	" " " " Lever

No.	Plate	Name
250432	16364	Rapid Feed Tripping Pawl Lever Bracket
232154	16364	" " " " " " " Posi- tion Pin (2)
350110C	16364	Rapid Feed Tripping Pawl Lever Bracket Screw
14017	16364	Rapid Feed Tripping Pawl Lever Bracket Screw Washer
72C	16364	Rapid Feed Tripping Pawl Lever Hinge Screw
255167	16364	Rapid Feed Tripping Pawl Spring
250195	16367	" " " Worm with 453C
25362	16367	" " " " Ball
250196	16367	" " " " Bearing Cup
225007	16367	" " " " Retainer with eight 25362
232244	16367	Rapid Feed Worm Position Pin
453C	16367	" " " " Set Screw
250197	16445	" " " " Wheel
250198	16445	" " " " Collar with two 453C
453C	16445	" " " " " Set Screw
202244	16445	" " " " Oil Packing (wick)
255138	16409	Starting Bell Crank with 201160E
350291C	16409	" " " " Hinge Screw
256196	16409	" and Retaining Latch with 201160E
255136	16409	" " " " Crank with 209F and 1819
2269	16409	Starting and Retaining Latch Crank Posi- tion Pin
1819	16409	Starting and Retaining Latch Crank Roller and Stud
209F	16409	Starting and Retaining Latch Crank Set Screw
255157	16409	Starting and Retaining Latch Spring
201160E	16409	" " " " " Screw Eye (2)
255158	16450	Starting and Retaining Latch Tripping Block
235404	16450	Starting and Retaining Latch Tripping Block Pin
183C	16450	Starting and Retaining Latch Tripping Block Screw
250202	16458	Starting Rod
250203	16458	" " " Block with 203E
2273	16458	" " " " Position Pin
203E	16458	" " " " Set Screw
40043	16458	" " " Collar with 209C (2)
209C	16458	" " " " Set Screw
250204	16458	" " " Lock
946D	16458	" " " " Hinge Screw

No.	Plate	Name
250205	16458	Starting Rod Lock Spring
213D	16458	" " " " " Screw
250206	16458	" " " " " Washer
250207	16458	" " " Safety Lock
38D	16458	" " " " " Hinge Screw
226467	16458	" " " " " " Washer
250423	16458	" " " Spring
201160E	16458	" " " " Screw Eye
250210	16467	Stitch Regulating Gear, 27 teeth
250211	16467	" " " " 20 teeth
250212	16467	" " " " 28 teeth
250598	16467	" " " " 20 teeth
250213	16467	" " " " 27 teeth
Note: No. 250212 is furnished with this machine unless another Stitch Regulating Gear is specified on order.		
250214	16467	Stitch Regulating Gear, 74 teeth
250415	16467	" " " " 28 teeth
250478	16467	" " " " 40 teeth
201660C	16467	" " " " Lock Nut
250207	16467	" " " Shaft
250177	16467	" " " " Gear with 487C
232721	16467	" " " " " Position Pin
457C	16467	" " " " " Set Screw
250178	16463	" Rotating Lever (lower) with 458C
201442C	16463	" " " " " Position Screw
201871	16463	" " " " " Roller
350066C	16463	" " " " " " Screw Stud
201666E	16463	" " " " " " " "
Nut		
458C	16463	Stitch Rotating Lever (lower) Set Screw
232591	16463	" " " " (upper) with 448C
40025	16463	" " " " " Position Pin
448C	16463	" " " " " Set Screw
232807	16463	" " " " " Connection (front section) (lower)
232593	16463	Stitch Rotating Lever Connection (front section) (upper)
232808	16463	Stitch Rotating Lever Connection (rear section) (lower)
232592	16463	Stitch Rotating Lever Connection (rear section) (upper)
58F	16463	Stitch Rotating Lever Connection Hinge Screw (4)
172D	16463	Stitch Rotating Lever Connection Screw (lower)
39504	16463	Stitch Rotating Lever Connection Screw Washer (lower)

Copyright © 2012 by the Library of the International Needle Corporation

No.	Plate	Name
193D	16463	Stitch Rotating Lever Connection Screw (upper)
232717	16463	Stitch Rotating Lever Connection Screw Washer (upper)
232764	16463	Stitch Rotating Lever Connection (lower) complete, Nos. 232807, 232808, two each 172D and 39504
250400	16463	Stitch Rotating Lever Connection (upper) complete, Nos. 232592, 232593, 232717 and two 193D
250394	16463	Stitch Rotating Lever Rock Shaft
250216	16463	" " Sector (lower)
232597	16463	" " " " Bracket
690D	16463	" " " " " Screw
226163	16463	" " " " " Washer
350087C	16463	Stitch Rotating Sector (lower) Hinge Screw
252204	16463	Stitch Rotating Sector (upper)
232599	16463	" " " " Bracket
201395D	16463	" " " " " Screw (2)
251026	16363	Stop Lever with 200352C
232262	16363	" " Bracket
350263E	16363	" " " Screw
250218	16363	" " Crank with 453C
40025	16363	" " Position Pin
453C	16363	" " Set Screw
232263	16363	" " Friction Pad (rawhide)
200110D	16363	" " " " Screw (2)
255169	16363	" " Interlocking Slide
201084C	16363	" " " " Adjusting Screw
201628E	16363	Stop Lever Interlocking Slide Adjusting Screw Nut
1178D	16363	Stop Lever Interlocking Slide Screw
232265	16363	" " " " " Washer
250416	16363	" " " " " Spring
250219	16365	" " Link
250220	16365	" " " Connection
250221	16365	" " " Locking Pin
250222	16365	" " " " " Spring
217D	16365	" " " " " " Screw (2)
350225D	16365	Stop Lever Link Connection Screw (back)
807D	16365	" " " " " (front)
64C	16365	" " " Hinge Screw
250223	16365	" " Operating Lever

No.	Plate	Name
11C	16365	Stop Lever Operating Lever Hinge Screw
250224	16365	" " " " Plate
157D	16365	" " " " Screw
39541	16365	" " " " " Washer
201442C	16363	" " Position Screw
200352C	16363	" " Set Screw
250225	16363	" " Shaft
255170	16363	" " Spring
201110	16363	" " " Screw
254093	16459	Throat Plate
250447	16459	" " Adjusting Block
176D	16459	" " Screw
250560	16459	" " " Washer
*256083	16467	Vertical Shaft with two each 204648 and 250589
256201	16467	Vertical Shaft 256083 with 232719 and 255522
255522	16467	Vertical Shaft Bevel Gear (lower) with two 453C
232719	16467	Vertical Shaft Bevel Gear (lower) Position Pin
256084	16467	Vertical Shaft Bevel Gear (upper) with two 453C
40025	16467	Vertical Shaft Bevel Gear (upper) Position Pin (2)
453C	16467	Vertical Shaft Bevel Gear Set Screw
250396	16467	" " Bushing (lower)
200100E	16367	" " " " Screw (2)
256085	16467	" " " (upper)
575C	16467	" " " " Set Screw
253125	16470	Work Clamp Arm (left)
253126	16471	" " " (right)
252213	16470	" " " Bracket (left)
252300	16470	" " " " " 252213 with 250551, 250552, 252200, 253666 and three 2269
252214	16471	Work Clamp Arm Bracket (right)
252301	16471	" " " " " 252214 with 250266, 250528, 252201, 253666 and three 2269
201129D	16470	Work Clamp Arm Bracket Screw (back)
200161D	16470	" " " " " (front)
253666	16470	" " " Cam with 209F
2269	16470	" " " Position Pin
209F	16470	" " " Set Screw
250552	16470	" " " Shaft (left)
250528	16471	" " " " (right)
201237E	16470	" " " Stop Screw

From the library of: Diamond Speeds Corp

No.	Plate	Name
1550J	16470	Work Clamp Spreader Adjusting Screw Nut
256805	16469	" " " Base Plate
256029	16469	" " " " " Retaining Block (2)
1454F	16469	Work Clamp Spreader Base Plate Retaining Block Screw (4)
50058D	16469	Work Clamp Spreader Base Plate Screw (2)
253505	16469	" " " Connection
253506	16469	" " " " Bracket with 201981
1981	16469	Work Clamp Spreader Connection Bracket Roller
201981	16469	Work Clamp Spreader Connection Bracket Roller 1981 with 253524
253524	16469	Work Clamp Spreader Connection Bracket Roller Stud
208E	16469	Work Clamp Spreader Connection Bracket Screw (2)
201453C	16469	Work Clamp Spreader Connection Hinge Screw
250281	16469	Work Clamp Spreader Connection Link (left)
253507	16469	Work Clamp Spreader Connection Link (right)
201452E	16469	Work Clamp Spreader Connection Link Hinge Screw (2)
256038	16469	Work Clamp Spreader Operating Fork Lever
212D	16469	" " " " " " Cap Screw
350138E	16469	Work Clamp Spreader Operating Fork Lever Hinge Screw
255081	16469	Work Clamp Spreader Operating Fork Lever Stop Plate
203E	16469	Work Clamp Spreader Operating Fork Lever Stop Plate Screw
7071	16469	Work Clamp Spreader Operating Fork Lever Stop Plate Screw Washer
250285	16407	Work Clamp Spreader Operating Pawl
252512	16407	" " " " " Adjusting Block
176D	16407	Work Clamp Spreader Operating Pawl Adjusting Block Screw
7071	16407	Work Clamp Spreader Operating Pawl Adjusting Block Screw Washer
132E	16407	Work Clamp Spreader Operating Pawl Adjusting Screw
201669E	16407	Work Clamp Spreader Operating Pawl Adjusting Screw Nut

No.	Plate	Name
741C	16407	Work Clamp Spreader Operating Pawl Hinge Screw
250286	16407	Work Clamp Spreader Operating Pawl Spring
201314C	16407	Work Clamp Spreader Operating Pawl Stop Screw
252513	16407	Work Clamp Spreader Operating Pawl complete, Nos. 176D, 7071, 250285 and 252512
250287	16463	Work Clamp Spreader Releaser
203C	16463	" " " " Screw
201314C	16469	" " " Screw Stud (2)
255003	16470	" " Spring
255016	16470	" " " Wear Plate
792D	16470	" " " " " Screw
255164	16470	" Position Gauge (left)
255165	16471	" " " (right)
1423F	16470	" " " Screw
228026	16470	" " " " Washer

Genuine Singer Needles should be used in Singer Machines. These Needles and their Containers are marked with the Company's Trade Mark "SIMANCO." 1

Needles in Containers marked "For Singer Machines" are not Singer made needles. 2

ACCESSORIES

No.	Plate	Name
253180	16457	Buttonhole Cutting Block (steel), 2 in. (straight)
252239	16457	Buttonhole Cutting Knife (straight)
250212	16467	Stitch Regulating Gear, 28 teeth
142 x 5	16466	Needles, six, size 17
250004	16382	Bed Cushion (leather) (back)
250006	16382	" " " (front)
250007	16382	" " (fibre) (inside)
250008	16382	" " " (outside)
158E	16382	" " Screw
250018	16382	" Support (left) with 250004, 250006, 250008, two 250007 and six 158E
250019	16382	Bed Support (right) with 250004, 250006, 250008, two 250007 and six 158E
250288	16382	Drip Pan
250408	16382	Machine Rest (high) with 232982 and two wood screws 1 in., No. 12
232982	16382	Machine Rest Cushion (leather)
120346	16382	Oiler (copper plated) with 120347
120347	16382	" Spout (8-1/2 in. long)
11831	16383	Screw Driver (5 in. blade) (machine, large)
*250521	-----	" " Blade
*225483	-----	" " Handle
255542	16383	" " 8 in. blade
250522	16383	Screw Driver complete (for needle set screw), Nos. 225483 and 250521
250543	16383	Stitch Regulating Gear Holder
232486	16382	Threader Wire (large)
255554	16382	" " (small)
255513	16382	Tweezers
23535	16383	Wrench, for 1671, 1697 and 1698
232900	16383	" " 201362 and 201668
232935	16383	" " 201670 and 201722 (2)
250289	16382	" " 350111
255533	16382	" " 201442 and 201445
255539	16383	" " 1550 and 350136
255540	16383	" " 201524 and 201643
255541	16383	" " 201628 and 201660
256019	16383	" " 201727 and 201728 (2)
		Wood Screws, 1-1/4 in., No. 12 (4)

THREAD UNWINDER
FOR THREE SPOOLS

No.	Plate	Name
259370	16385	Spool Pin
225375	16385	" " (wood)
259378	16385	" " Arm with 217E and 259379
232896	16385	" " " Bracket with two 448C
448C	16385	" " " Set Screw
448C	16385	" " " Set Screw
259371	16385	" " Cap (Bakelite)
1010F	16385	" " " Hinge Screw
259379	16385	" " Retaining Spring
217E	16385	" " " " Screw
259372	16385	" " Washer
259373	16385	Spool Pin complete, Nos. 1010F and 259370 to 259372
259374	16385	Spool Rest (for one spool) (flat) with 201018C
259375	16385	Spool Rest (for two spools) (flat) with 201018C
150203	16385	Spool Rest Cushion (felt)
250453	16385	" " Rod (lower)
225388	16385	" " " (upper)
250454	16385	" " " Coupling with two 456C
456C	16385	" " " " Set Screw
200383C	16385	" " " Set Screw
201018C	16385	" " Set Screw
202490	16385	" Stand with 200383C
225390	16385	Thread Cone Holder
250472	16385	" Cop Holder
225391	16385	" Guide
201696J	16385	" " Lock Nut
225326	16385	" " Position Cup
350192J	16385	" " Screw Stud
200164B	16385	" " " " Set Screw
225393	16385	" " " " Washer
225376	16385	Thread Unwinder complete, Nos. 200164B, 201696J, 202490, 225326, 225388, 225393, 250453, 250454, 250472, 250374, 259375, 350192J, three each 150203, 225375, 225390, 225391, 232896, 259373, 259378 and wood screws 7/8 in., No. 12

DRIVING EQUIPMENT

No.	Plate	Name
228628	16388	Belt size 5/16 in.diam.,length 83 in., with two 25029
228629	16391	Belt size 3/8 in.diam.,length 57 in., with 25030
228630	16395	Belt size 3/8 in.diam.,length 120 in., with two 25030
228631	16388	Belt size 3/8 in.diam.,length 133 in., with two 25030
228608	16389	Belt Guard,for Bridgeport Old Style Power Table (trough) and Singer Universal Power Table (trough),with two wood screws 3/4 in.,No.10
228610	16390	Belt Guard,for E'port Old Style Power Table (trough),with two wood screws 3/4 in.,No.10
25029	16388	Belt Hook
25030	16388	" "
228565	16387	" Shifter
228566	16387	" " Lever with 200526C
227567	16387	" " " Hinge Stud
200335C	16387	" " " " " Set Screw
228632	16387	" " Locking Spring
200526C	16387	" " Set Screw
228618	16386	Buttonhole Cutter Driving Pulley,4-5/8 in.diam.,with 200342C and 200347C
228619	16386	Buttonhole Cutter Driving Pulley Driving Pinion,16 teeth,with 454C
2117E	16386	Buttonhole Cutter Driving Pulley Driving Pinion Pin
454C	16386	Buttonhole Cutter Driving Pulley Driving Pinion Set Screw
200342C	16386	Buttonhole Cutter Driving Pulley Position Screw
200347C	16386	Buttonhole Cutter Driving Pulley Set Screw
228579	16386	Buttonhole Cutter Driving Pulley Shaft
228580	16386	" " " " " Bushing with 224392
224392	16386	Buttonhole Cutter Driving Pulley Shaft Bushing Oil Packing (wick)
350028C	16386	Buttonhole Cutter Driving Pulley Shaft Bushing Set Screw

No.	Plate	Name
228620	16386	Buttonhole Cutter Driving Pulley Shaft Gear,48 teeth,with 448C
2117E	16386	Buttonhole Cutter Driving Pulley Shaft Gear Pin
448C	16386	Buttonhole Cutter Driving Pulley Shaft Gear Set Screw
228593	16387	Counter Shaft (hollow) with 200370C and 228595
210833	16387	Counter Shaft Collar with two 200363C
200363C	16387	" " " Set Screw
228590	16387	" " Driving Pulley (loose),5 in. diameter
228591	16387	Counter Shaft Driving Pulley (tight),5 in.diam.,with 200352C and 200363C
200352C	16387	Counter Shaft Driving Pulley Position Screw
200363C	16387	Counter Shaft Driving Pulley Set Screw
228601	16387	" " Hanger with 200335C and 202244
228588	16387	Counter Shaft Hanger Belt Guard (double)
200002E	16387	" " " " " Screw
202244	16387	" " " Oil Packing (wick)
51080E	16387	" " " Screw
51046E	16387	" " " " "
41125	16387	" " " Washer
228602	16387	" " Oil Cup
228594	16387	" " " Packing Wick
228595	16387	" " " " " Wire with 228594
200370C	16387	Counter Shaft Oil Stop Screw
228592	16387	" " Pulley,5-7/8 in.diam.,with 200352C and 200363C
200352C	16387	Counter Shaft Pulley Position Screw
200363C	16387	" " " Set Screw
228596	16387	Counter Shaft Hanger complete,for Old Style Power Table and Singer Universal Power Table,Nos.51080E,200002E,210833 228565,to 228567,228588,228590 to 228593,228601,228602,228632,two 51046E and three 41125
228573	16386	Driving Attachment Belt Guard with 228607
228607	16386	" " " " " Drain Valve
50075J	16386	" " " " " Thumb Screw
228574	16386	" " Bracket with 11119,228575 and four 350028C
228575	16386	Driving Attachment Bracket Oil Cup
15783	16386	" " " " " Tube
11119	16386	" " " " " 15783 with 52045

ACCESSORIES

No.	Plate	Name
52045	16386	Driving Attachment Bracket Oil Tube Packing (cotton)
51046E	16386	Driving Attachment Bracket Screw
41125	16386	" " " " Washer
228624	16386	" Pulley, 6 in. diam., with 200374C and 200396C
200396C	16386	Driving Pulley Position Screw
200374C	16386	" " Set Screw
228625	16386	" " Shaft
228571	16386	" " " Bushing with 202260
202260	16386	" " " Oil Packing (wick)
350078C	16386	" " " Set Screw
228626	16386	" " " Collar with two 200378C
200378C	16386	" " " Set Screw
228621	16386	Machine Driving Pulley (loose), 3-1/8 in. diameter
228622	16386	Machine Driving Pulley Clutch
214179	16386	" " " Roller
214181	16386	" " " Spring
214180	16386	" " " Plunger
200050C	16386	Machine Driving Pulley Clutch Screw
228623	16386	" " " Collar with two 200354C
200364C	16386	Machine Driving Pulley Collar Set Screw
228627	16386	Driving Attachment complete, Nos. 50075J, 228573, 228574, 228579, 228580, 228618 to 228626, two each 2117E, 228571, three each 41125, 51046E, 200050C and 214179 to 214181
228578	16386	Driving Attachment and Idler complete, Nos. 228587 and 228627
232342	16388	Front Plank Extension (back) with two wood screws 1-1/2 in., No. 10 (for flat table)
234349	16395	Front Plank Extension (back) with four wood screws 1-1/2 in., No. 10, for Singer Universal Safety Power Table (flat)
234350	16396	Front Plank Extension (back) with six wood screws 1-1/2 in., No. 10, for Singer Universal Safety Power Table (trough)
234344	16388	Front Plank Extension (front) with two wood screws 2-1/4 in., No. 12 and three wood screws 1-3/4 in., No. 12
228581	16386	Idler Pulley
228643	16386	" " Belt Guard with 200526C
200526C	16386	" " " Set Screw
228644	16386	" " Bracket with 200526C

ACCESSORIES

No.	Plate	Name
200019E	16386	Idler Pulley Bracket Screw
228584	16386	" " Shaft with 228586
228602	16386	" " " Oil Cup
228585	16386	" " " Wick
228586	16386	" " " Wire with 228585
200526C	16386	" " " Set Screw
228587	16386	Idler complete, Nos. 228584, 228602, 228644 two each 228581, 228643 and three 200019E
27068	16388	Shaft Pulley (sectional, grooved), 8 in. diam., 1-3/16 in. bore, with two 597C
597C	16388	Shaft Pulley Clamping Screw
150027	16394	Starting Device Bracket with two wood screws 1-1/4 in., No. 14
150028	16394	Starting Device Handle
27638	16394	" " " Spring
23250	16394	" " " Washer
126888	16394	" " " Collar with 217F
217F	16394	Starting Device Handle Spring Collar Set Screw
126955	16394	Starting Device Rod
126888	16394	" " " Collar with 217F
217F	16394	" " " Set Screw
126890	16394	Starting Device complete, Nos. 27638, 126955, 150027, 150028, two 23250 and three 126888
150183	16394	Table Belt Guide Bracket with 795C
50285R	16394	" " " Bolt
126841	16394	" " " Clamping Plate
126846	16394	" " " Nut Lock Washer
12620	16394	Table Belt Guide Bracket Bolt Washer
126750	16394	" " " Pulley with 126752
126868	16394	" " " Shaft
126752	16394	" " " Bushing
126869	16394	" " " Collar with 1448C
1448C	16394	Table Belt Guide Pulley Shaft Collar Set Screw
795C	16394	Table Belt Guide Pulley Shaft Set Screw
150184	16394	" " " Support Bracket with two wood screws 1 in., No. 12, F.H.
126870	16394	Table Belt Guide complete, Nos. 12620, 50285R, 126841, 126846, 126868, 150183, 150184, two each 126750 and 126869

No.	Plate	Name
126715	16395	Transmitter Pulley (sectional, grooved), sheet metal, 5-1/4 in. diameter
228599	16388	Driving Equipment complete, for Old Style or Singer Universal Power Table (flat) Nos. 27068, 228578, 228596, 228628, 228631, 234342, 234344 and blue print template
228605	16391	Driving Equipment complete, for Individual Motor Table, Nos. 228627 to 228629
228609	16389	Driving Equipment complete, for Bridgeport Old Style Power Table (trough) or Singer Universal Power Table (trough) Nos. 27068, 228578, 228596, 228608, 228628, 228631, 234344 and blue print template
228611	16390	Driving Equipment complete, for E'port Old Style Power Table (trough), Nos. 27068, 228578, 228596, 228610, 228628, 228631, 234344 and blue print template
228612	16392	Driving Equipment complete, for Power Table (flat) with Electric Transmitter Motor, Nos. 228627 to 228629, 234342, 234344 and blue print template
228613	16393	Driving Equipment complete, for E'port Power Table (trough) with Electric Transmitter Motor, Nos. 228610, 228627 to 228629, 234344 and blue print template
228645	16395	Driving Equipment complete, for Singer Universal Safety Power Table (flat), Nos. 126715, 126870, 126890, 228627, 228628, 228630, 234349 and blue print template
228646	16396	Driving Equipment complete, for Singer Universal Safety Power Table (trough) Nos. 126715, 126870, 126890, 228627, 228628, 228630, 234350 and blue print template

BUTTONHOLE CUTTING BLOCKS

253159	16457	Buttonhole Cutting Block (steel), 3/4 in. (eye or taper bar)
253160	16457	Buttonhole Cutting Block (steel), 7/8 in. (eye or taper bar)
253161	16457	Buttonhole Cutting Block (steel), 1 in. (eye or taper bar)
253162	16457	Buttonhole Cutting Block (steel), 1-1/8 in. (eye or taper bar)

No.	Plate	Name
253163	16457	Buttonhole Cutting Block (steel), 1-1/4 in. (eye or taper bar)
253164	16457	Buttonhole Cutting Block (steel), 1-3/8 in. (eye or taper bar)
253165	16457	Buttonhole Cutting Block (steel), 1-1/2 in. (eye or taper bar)
253166	16457	Buttonhole Cutting Block (steel), 1-5/8 in. (eye or taper bar)
253167	16457	Buttonhole Cutting Block (steel), 1-3/4 in. (eye or taper bar)
253168	16457	Buttonhole Cutting Block (steel), 1-7/8 in. (eye or taper bar)
253169	16457	Buttonhole Cutting Block (steel), 2 in. (eye or taper bar)
253170	16457	Buttonhole Cutting Block (steel), 3/4 in. (straight)
253171	16457	Buttonhole Cutting Block (steel), 7/8 in. (straight)
253172	16457	Buttonhole Cutting Block (steel), 1 in. (straight)
253173	16457	Buttonhole Cutting Block (steel), 1-1/8 in. (straight)
253174	16457	Buttonhole Cutting Block (steel), 1-1/4 in. (straight)
253175	16457	Buttonhole Cutting Block (steel), 1-3/8 in. (straight)
253176	16457	Buttonhole Cutting Block (steel), 1-1/2 in. (straight)
253177	16457	Buttonhole Cutting Block (steel), 1-5/8 in. (straight)
253178	16457	Buttonhole Cutting Block (steel), 1-3/4 in. (straight)
253179	16457	Buttonhole Cutting Block (steel), 1-7/8 in. (straight)
253180	16457	Buttonhole Cutting Block (steel), 2 in. (straight)

BUTTONHOLE CUTTING KNIVES

252337	16457	Buttonhole Cutting Knife (.100 x .180 eye)
252338	16457	Buttonhole Cutting Knife (.126 x .180 eye)
252339	16457	Buttonhole Cutting Knife (straight)

PATTERN WHEELS
FOR MAKING EYELET END BUTTONHOLES,
WITH MEDIUM EYE (Adjustable)

No.	Plate	Name
256829	16472	Pattern Wheel, 3/4 to 1 in., complete, Nos. 256828, 256849, three each 203E, 391D and 250372
256831	16472	Pattern Wheel, 1 to 1-1/4 in., complete, Nos. 252293, 256830, three each 203E, 391D and 250372
256833	16472	Pattern Wheel, 1-1/4 to 1-1/2 in., complete, Nos. 252295, 256832, three each 203E, 391D and 250372
256835	16472	Pattern Wheel, 1-1/2 to 1-3/4 in., complete, Nos. 252297, 256834, three each 203E, 391D and 250372
256837	16472	Pattern Wheel, 1-3/4 to 2 in., complete, Nos. 252299, 256836, three each 203E, 391D and 250372

FOR MAKING EYELET END BUTTONHOLES,
WITH LARGE EYE (Adjustable)

256839	16473	Pattern Wheel, 3/4 to 1 in., complete, Nos. 256838, 256849, three each 203E, 391D and 250372
256841	16473	Pattern Wheel, 1 to 1-1/4 in., complete, Nos. 252293, 256840, three each 203E, 391D and 250372
256843	16473	Pattern Wheel, 1-1/4 to 1-1/2 in., complete, Nos. 252295, 256842, three each 203E, 391D and 250372
256845	16473	Pattern Wheel, 1-1/2 to 1-3/4 in., complete, Nos. 252297, 256844, three each 203E, 391D and 250372
256847	16473	Pattern Wheel, 1-3/4 to 2 in., complete, Nos. 252299, 256846, three each 203E, 391D and 250372

FOR MAKING STRAIGHT BUTTONHOLES,
(Adjustable)

No.	Plate	Name
256829	16472	Pattern Wheel, 3/4 to 1 in., complete, Nos. 256828, 256849, three each 203E, 391D and 250372
256839	16473	Pattern Wheel, 3/4 to 1 in., complete, Nos. 256838, 256849, three each 203E, 391D and 250372
256831	16472	Pattern Wheel, 1 to 1-1/4 in., complete, Nos. 252293, 256830, three each 203E, 391D and 250372
256841	16473	Pattern Wheel, 1 to 1-1/4 in., complete, Nos. 252293, 256840, three each 203E, 391D and 250372
256833	16472	Pattern Wheel, 1-1/4 to 1-1/2 in., complete, Nos. 252295, 256832, three each 203E, 391D and 250372
256843	16473	Pattern Wheel, 1-1/4 to 1-1/2 in., complete, Nos. 252295, 256842, three each 203E, 391D and 250372
256835	16472	Pattern Wheel, 1-1/2 to 1-3/4 in., complete, Nos. 252297, 256834, three each 203E, 391D and 250372
256845	16473	Pattern Wheel, 1-1/2 to 1-3/4 in., complete, Nos. 252297, 256844, three each 203E, 391D and 250372
256837	16472	Pattern Wheel, 1-3/4 to 2 in., complete, Nos. 252299, 256836, three each 203E, 391D and 250372
256847	16473	Pattern Wheel, 1-3/4 to 2 in., complete, Nos. 252299, 256846, three each 203E, 391D and 250372

FOR MAKING EYELET END BUTTONHOLES,
WITH MEDIUM EYE AND TAPER BAR

252216	16474	Pattern Wheel, 3/4 in., complete, bar adjustable from 1/8 to 3/8 in., Nos. 252215, 252292, three each 203E, 391D and 250372
252218	16474	Pattern Wheel, 7/8 in., complete, bar adjustable from 1/8 to 3/8 in., Nos. 252217, 252293, three each 203E, 391D and 250372

No.	Plate	Name
252220	16474	Pattern Wheel, 1 in., complete, bar adjustable, from 1/8 to 3/8 in., Nos. 252219, 252294, three each 203E, 391D and 250372
252222	16474	Pattern Wheel, 1-1/8 in., complete, bar adjustable from 1/8 to 3/8 in., Nos. 252221, 252295, three each 203E, 391D and 250372
252224	16474	Pattern Wheel, 1-1/4 in., complete, bar adjustable from 1/8 to 3/8 in., Nos. 252223, 252296, three each 203E, 391D, and 250372
252226	16474	Pattern Wheel, 1-3/8 in., complete, bar adjustable from 1/8 to 3/8 in., Nos. 252225, 252297, three each 203E, 391D and 250372
252228	16474	Pattern Wheel, 1-1/2 in., complete, bar adjustable from 1/8 to 3/8 in., Nos. 252227, 252298, three each 203E, 391D and 250372
252232	16474	Pattern Wheel, 1-3/4 in., complete, bar adjustable from 1/8 to 1/4 in., Nos. 252231, 252299, three each 203E, 391D and 250372

FOR MAKING EYELET END BUTTONHOLES,
WITH LARGE EYE AND TAPER BAR

256807	16475	Pattern Wheel, 3/4 in., complete, bar adjustable from 1/8 to 3/8 in., Nos. 252292, 256806, three each 203E, 391D and 250372
256809	16475	Pattern Wheel, 7/8 in., complete, bar adjustable from 1/8 to 3/8 in., Nos. 252293, 256808, three each 203E, 391D and 250372
256811	16475	Pattern Wheel, 1 in., complete, bar adjustable from 1/8 to 3/8 in., Nos. 252294, 256810, three each 203E, 391D and 250372
256813	16475	Pattern Wheel, 1-1/8 in., complete, bar adjustable from 1/8 to 3/8 in., Nos. 252295, 256812, three each 203E, 391D and 250372
256815	16475	Pattern Wheel, 1-1/4 in., complete, bar adjustable from 1/8 to 3/8 in., Nos. 252296, 256814, three each 203E, 391D and 250372

No.	Plate	Name
256817	16475	Pattern Wheel, 1-3/8 in., complete, bar adjustable from 1/8 to 3/8 in., Nos. 252297, 256816, three each 203E, 391D and 250372
256819	16475	Pattern Wheel, 1-1/2 in., complete, bar adjustable from 1/8 to 3/8 in., Nos. 252298, 256818, three each 203E, 391D and 250372
256821	16475	Pattern Wheel, 1-3/4 in., complete, bar adjustable from 1/8 to 1/4 in., Nos. 252299, 256820, three each 203E, 391D and 250372
256828	16472	Pattern Wheel (adjustable), for buttonholes from 3/4 to 1 in. (medium eye and straight), with 256205 and two 205D, for 256829
256830	16472	Pattern Wheel (adjustable), for buttonholes from 1 to 1-1/4 in. (medium eye and straight), with 256205 and two 205D, for 256831
256832	16472	Pattern Wheel (adjustable), for buttonholes from 1-1/4 to 1-1/2 in. (medium eye and straight), with 256205 and two 205D, for 256833
256834	16472	Pattern Wheel (adjustable), for buttonholes from 1-1/2 to 1-3/4 in. (medium eye and straight) with 256205 and two 205D, for 256835
256836	16472	Pattern Wheel (adjustable), for buttonholes from 1-3/4 to 2 in. (medium eye and straight), with 256205 and two 205D, for 256837
256838	16473	Pattern Wheel (adjustable), for buttonholes from 3/4 to 1 in. (large eye and straight), with 256205 and two 205D, for 256839
256840	16473	Pattern Wheel (adjustable), for buttonholes from 1 to 1-1/4 in. (large eye and straight), with 256205 and two 205D, for 256841
256842	16473	Pattern Wheel (adjustable), for buttonholes from 1-1/4 to 1-1/2 in. (large eye and straight) with 256205 and two 205D, for 256843
256844	16473	Pattern Wheel (adjustable), for buttonholes from 1-1/2 to 1-3/4 in. (large eye and straight), with 256205 and two 205D, for 256845

PATTERN WHEELS

No.	Plate	Name
256846	16473	Pattern Wheel (adjustable), for buttonholes from 1-3/4 to 2 in. (large eye and straight), with 256205 and two 205D, for 256847
252215	16474	Pattern Wheel, for 3/4 in. Taper Bar (medium eye) Buttonhole, bar adjustable from 1/8 to 3/8 in., with 256205 and two 205D, for 252216
252217	16474	Pattern Wheel, for 7/8 in. Taper Bar (medium eye) Buttonhole, bar adjustable from 1/8 to 3/8 in., with 256205 and two 205D, for 252218
252219	16474	Pattern Wheel, for 1 in. Taper Bar (medium eye) Buttonhole, bar adjustable from 1/8 to 3/8 in., with 256205 and two 205D, for 252220
252221	16474	Pattern Wheel, for 1-1/8 in. Taper Bar (medium eye) Buttonhole, bar adjustable from 1/8 to 3/8 in., with 256205 and two 205D, for 252222
252223	16474	Pattern Wheel, for 1-1/4 in. Taper Bar (medium eye) Buttonhole, bar adjustable from 1/8 to 3/8 in., with 256205 and two 205D, for 252224
252225	16474	Pattern Wheel, for 1-3/8 in. Taper Bar (medium eye) Buttonhole, bar adjustable from 1/8 to 3/8 in., with 256205 and two 205D, for 252226
252227	16474	Pattern Wheel, for 1-1/2 in. Taper Bar (medium eye) Buttonhole, bar adjustable from 1/8 to 3/8 in., with 256205 and two 205D, for 252228
252231	16474	Pattern Wheel, for 1-3/4 in. Taper Bar (medium eye) Buttonhole, bar adjustable from 1/8 to 1/4 in., with 256205 and two 205D, for 252232
256806	16475	Pattern Wheel, for 3/4 in. Taper Bar (large eye) Buttonhole, bar adjustable from 1/8 to 3/8 in., with 256205 and two 205D, for 256807
256808	16475	Pattern Wheel, for 7/8 in. Taper Bar (large eye) Buttonhole, bar adjustable from 1/8 to 3/8 in., with 256205 and two 205D, for 256809
256810	16475	Pattern Wheel, for 1 in. Taper Bar (large eye) Buttonhole, bar adjustable from 1/8 to 3/8 in., with 256205 and two 204D, for 256811

PATTERN WHEELS

No.	Plate	Name
256812	16475	Pattern Wheel, for 1-1/8 in. Taper Bar (large eye) Buttonhole, bar adjustable from 1/8 to 3/8 in., with 256205 and two 205D, for 256813
256814	16475	Pattern Wheel, for 1-1/4 in. Taper Bar (large eye) Buttonhole, bar adjustable from 1/8 to 3/8 in., with 256205 and two 205D, for 256815
256816	16475	Pattern Wheel, for 1-3/8 in. Taper Bar (large eye) Buttonhole, bar adjustable from 1/8 to 3/8 in., with 256205 and two 205D, for 256817
256818	16475	Pattern Wheel, for 1-1/2 in. Taper Bar (large eye) Buttonhole, bar adjustable from 1/8 to 3/8 in., with 256205 and two 205D, for 256819
256820	16475	Pattern Wheel, for 1-3/4 in. Taper Bar (large eye) Buttonhole, bar adjustable from 1/8 to 1/4 in., with 256205 and two 205D, for 256821
256205	16472	Pattern Wheel Position Plate
205D	16472	" " " " Screw
250372	16472	" " Rapid Feed Trip Point
205E	16472	" " " " " Screw
252258	16474	" " Ring (adjustable), for 252292
252292	16474	" " " 252258 with 252275, 252276 two each 211E and 250444, for 252216 and 256807
252259	16472	Pattern Wheel Ring (adjustable), for 252293
252293	16472	Pattern Wheel Ring 252259 with 252275, 252276, two each 211E and 250444, for 252218, 256809, 256831 and 256841
252260	16474	Pattern Wheel Ring (adjustable), for 252294
252294	16474	Pattern Wheel Ring 252260 with 252275, 252276, two each 211E and 250444, for 252220 and 256811
252261	16472	Pattern Wheel Ring (adjustable), for 252295
252295	16472	Pattern Wheel Ring 252261 with 252275, 252276, two each 211E and 250444, for 252222, 256813, 256833 and 256847
252262	16474	Pattern Wheel Ring (adjustable), for 252296
252296	16474	Pattern Wheel Ring 252262 with 252275, 252276, two each 211E and 250444, for 252224 and 256815

PATTERN WHEELS

No.	Plate	Name
252263	16472	Pattern Wheel Ring (adjustable), for 252297
252297	16472	Pattern Wheel Ring 252263 with 252275, 252276, two each 211E and 250444, for 252226, 256817, 256835 and 256845
252264	16474	Pattern Wheel Ring (adjustable), for 252298
252298	16474	Pattern Wheel Ring 252264 with 252275, 252276, two each 211E and 250444, for 252228 and 256819
252265	16472	Pattern Wheel Ring (adjustable), for 252299
252299	16472	Pattern Wheel Ring 252265, with 252275, 252276, two each 211E and 250444, for 252232, 256821, 256837 and 256847
256848	16472	Pattern Wheel Ring (adjustable), for 256849
256849	16472	Pattern Wheel Ring 256848 with 252275, 252276, two each 211E and 250444, for 256829 and 256839
252275	16472	Pattern Wheel Ring Adjusting Segment (curved rise)
252276	16472	Pattern Wheel Ring Adjusting Segment (straight drip)
211E	16472	Pattern Wheel Ring Adjusting Segment Screw
250444	16472	Pattern Wheel Ring Adjusting Segment Screw Washer
391D	16472	Pattern Wheel Ring Screw

SHAFT PULLEYS

27271	16388	Shaft Pulley (sectional, grooved), 4 in. diam., 1-3/16 in. bore, with two 597C
232920	16388	Shaft Pulley (sectional, grooved), 4-1/2 in. diam., 1-3/16 in. bore, with two 597C
27065	16388	Shaft Pulley (sectional, grooved), 5 in. diam., 1-3/16 in. bore, with two 597C
232879	16388	Shaft Pulley (sectional, grooved), 5-1/2 in. diam., 1-3/16 in. bore, with two 597C
27066	16388	Shaft Pulley (sectional, grooved), 6 in. diam., 1-3/16 in. bore, with two 597C
232880	16388	Shaft Pulley (sectional, grooved), 6-1/2 in. diam., 1-3/16 in. bore, with two 597C

SHAFT PULLEYS

No.	Plate	Name
27067	16388	Shaft Pulley (sectional, grooved), 7 in. diam., 1-3/16 in. bore, with two 597C
232881	16388	Shaft Pulley (sectional, grooved), 7-1/2 in. diam., 1-3/16 in. bore, with two 597C
27068	16388	Shaft Pulley (sectional, grooved), 8 in. diam., 1-3/16 in. bore, with two 597C
232882	16388	Shaft Pulley (sectional, grooved), 8-1/2 in. diam., 1-3/16 in. bore, with two 597C
27069	16388	Shaft Pulley (sectional, grooved), 9 in. diam., 1-3/16 in. bore, with two 597C
232883	16388	Shaft Pulley (sectional, grooved), 9-1/2 in. diam., 1-3/16 in. bore, with two 597C
27070	16388	Shaft Pulley (sectional, grooved), 10 in. diam., 1-3/16 in. bore, with two 597C
27072	16388	Shaft Pulley (sectional, grooved), 12 in. diam., 1-3/16 in. bore, with two 597C
27074	16388	Shaft Pulley (sectional, grooved), 14 in. diam., 1-3/16 in. bore, with two 597C
27075	16388	Shaft Pulley (sectional, grooved), 15 in. diam., 1-3/16 in. bore, with two 597C

SINGER KNIFE TRUEING FIXTURE

232870	16401	Base with 448C
232871	16401	" 232870 with 59D, 232872 and 232876
232872	16401	Knife Clamping Lever
59D	16401	" " " Hinge Screw
232873	16401	Oil Stone
232874	16401	" " Bracket with three 448C
232875	16401	" " " 232874 with 232873 and 232877
232876	16401	Oil Stone Bracket Shaft
448C	16401	" " " " " Set Screw
448C	16401	" " Set Screw
232877	16401	" " " " Friction GIB
232878	16401	Singer Knife Trueing Fixture complete, Nos. 232871 and 232875

 From the library of: [diamondneedle.com](http://www.diamondneedle.com)

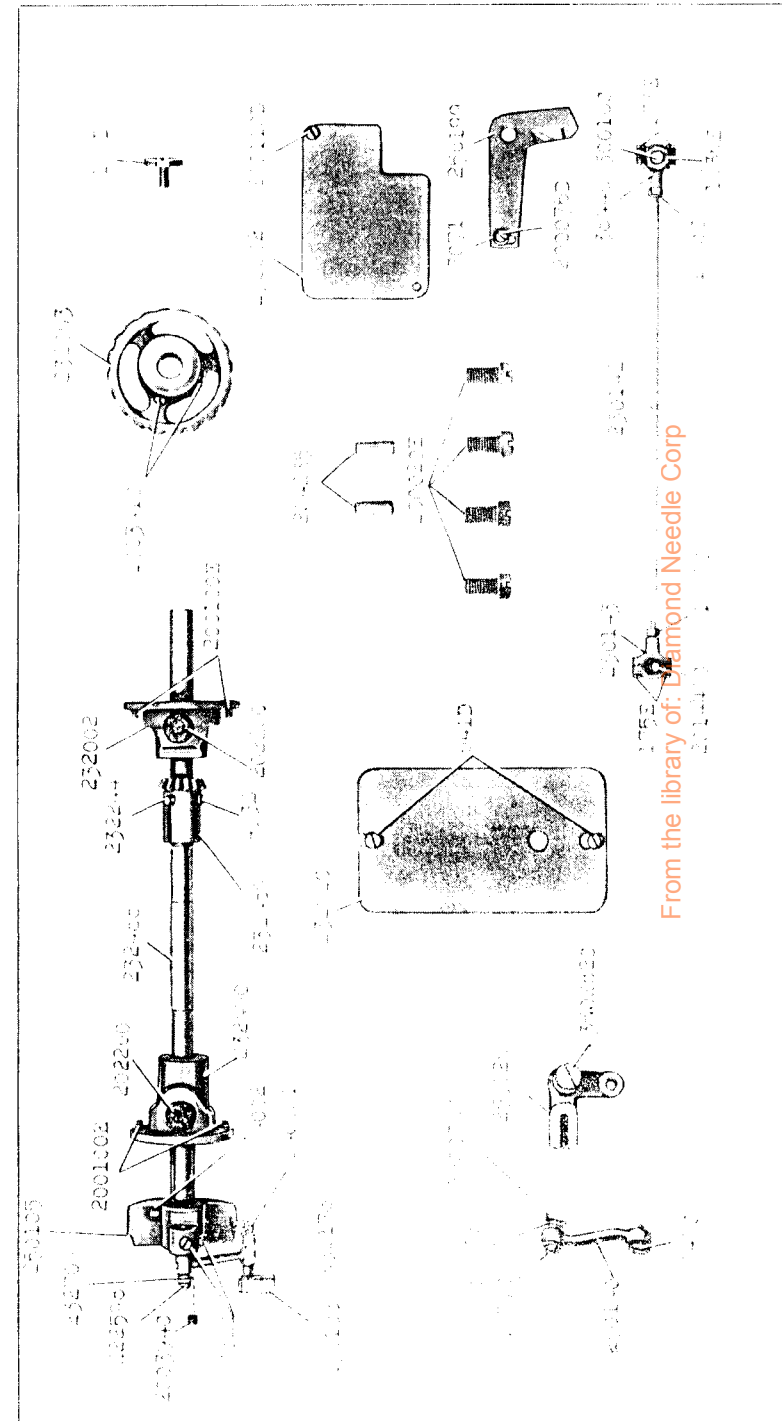
THREAD LUBRICATING CUP

No.	Plate	Name
250518	16431	Thread Lubricating Cup with 171E, 250519 and 250520
250519	16431	Thread Lubricating Cup Oil Pad (felt)
171E	16431	" " " Pinch Screw
250520	16431	" " " Thread Guide

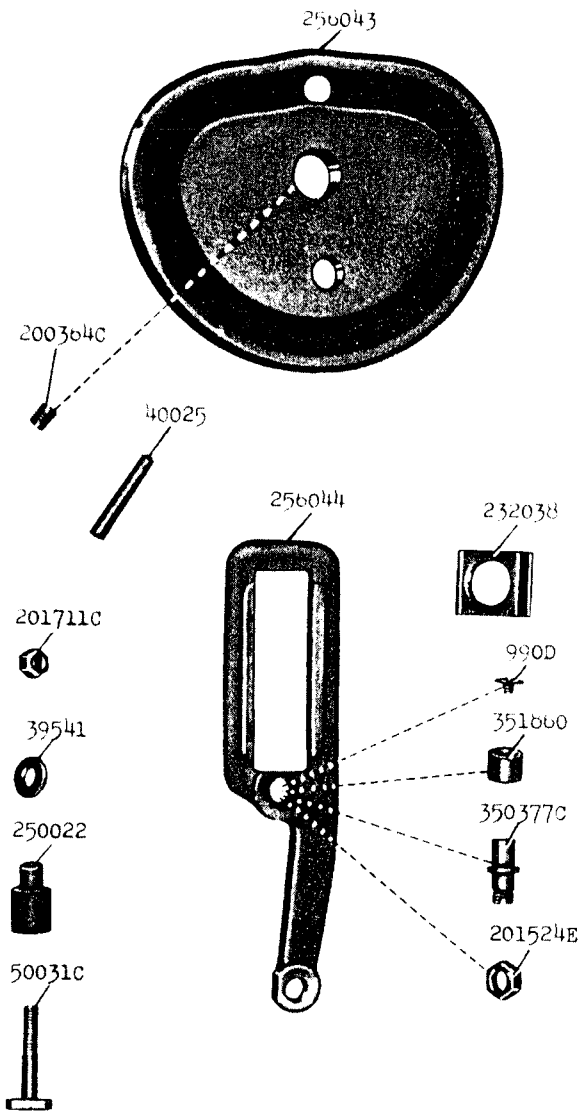
Genuine Singer Needles should be used in Singer Machines. These Needles and their Containers are marked with the Company's Trade Mark "SIMANCO." 1

Needles in Containers marked "For Singer Machines" are not Singer made needles. 2

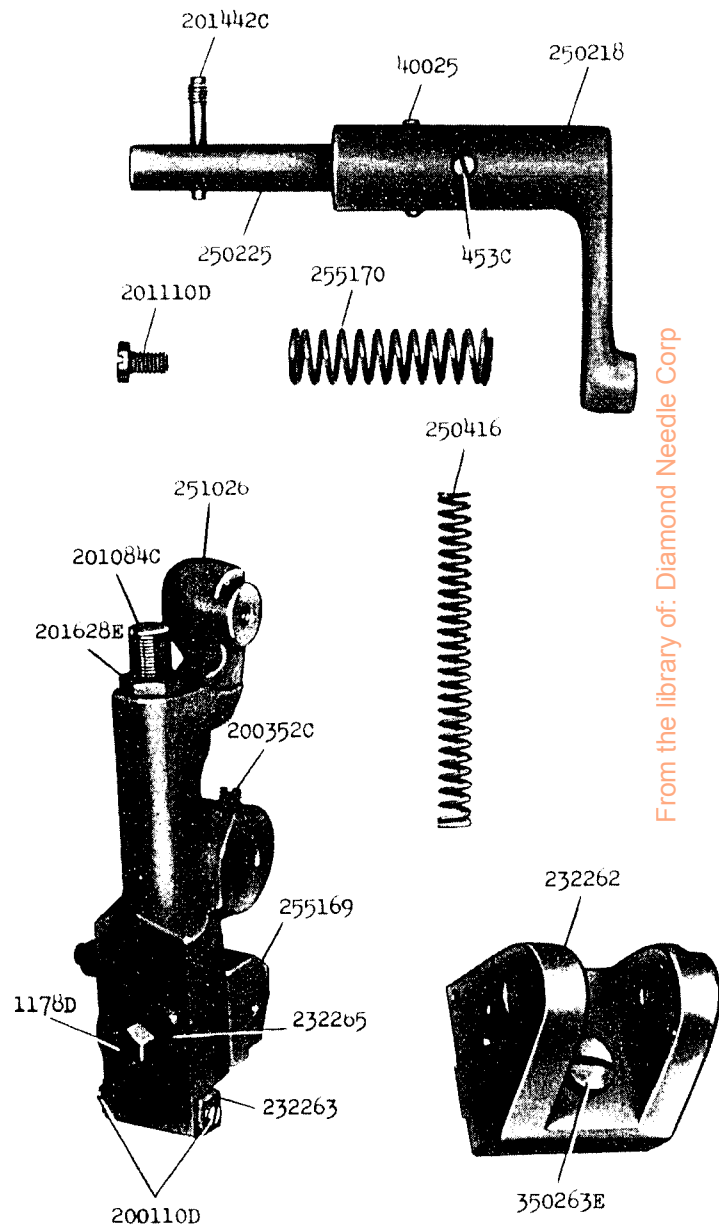
16348 - 1/4



16356 - 1/2

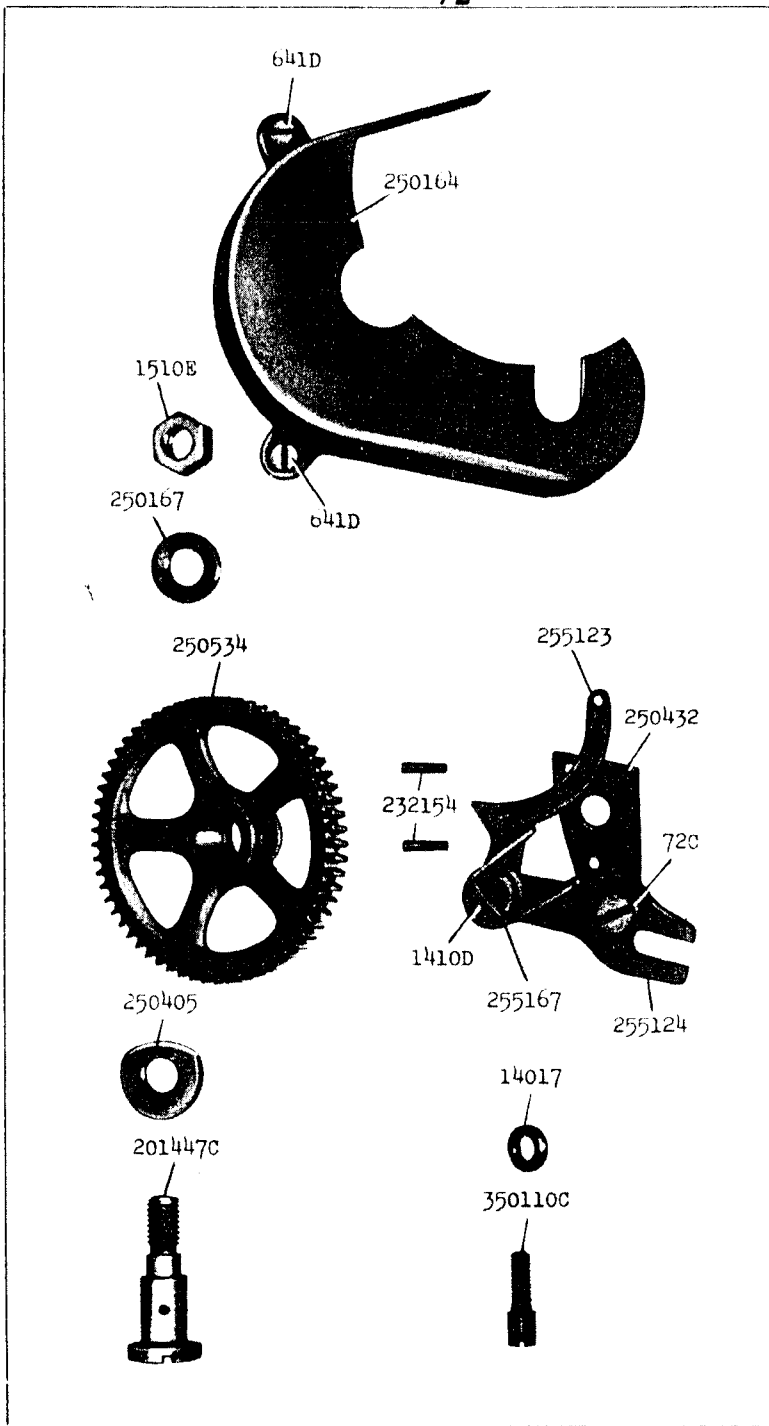


16363 - 1/2

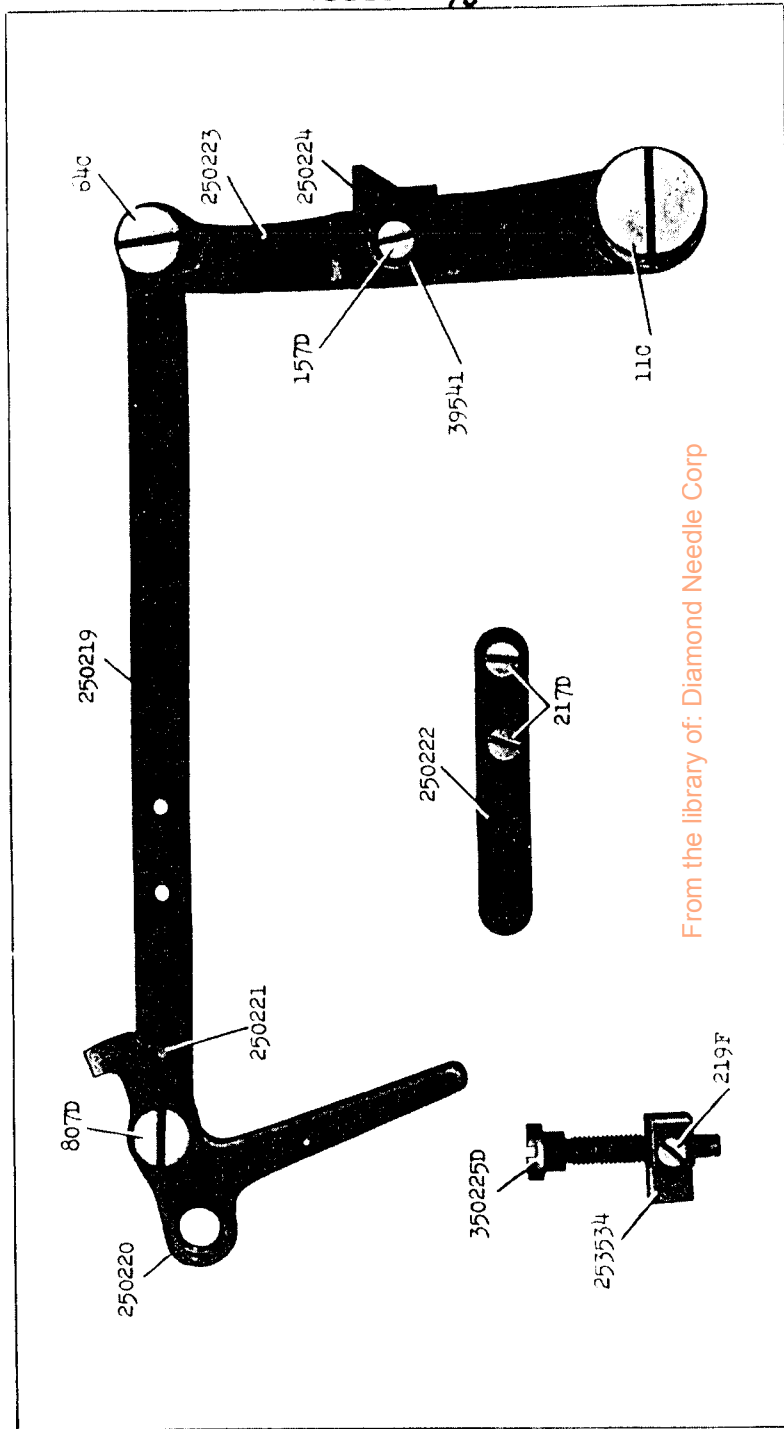


From the library of: Diamond Needle Corp

16364 - 1/2

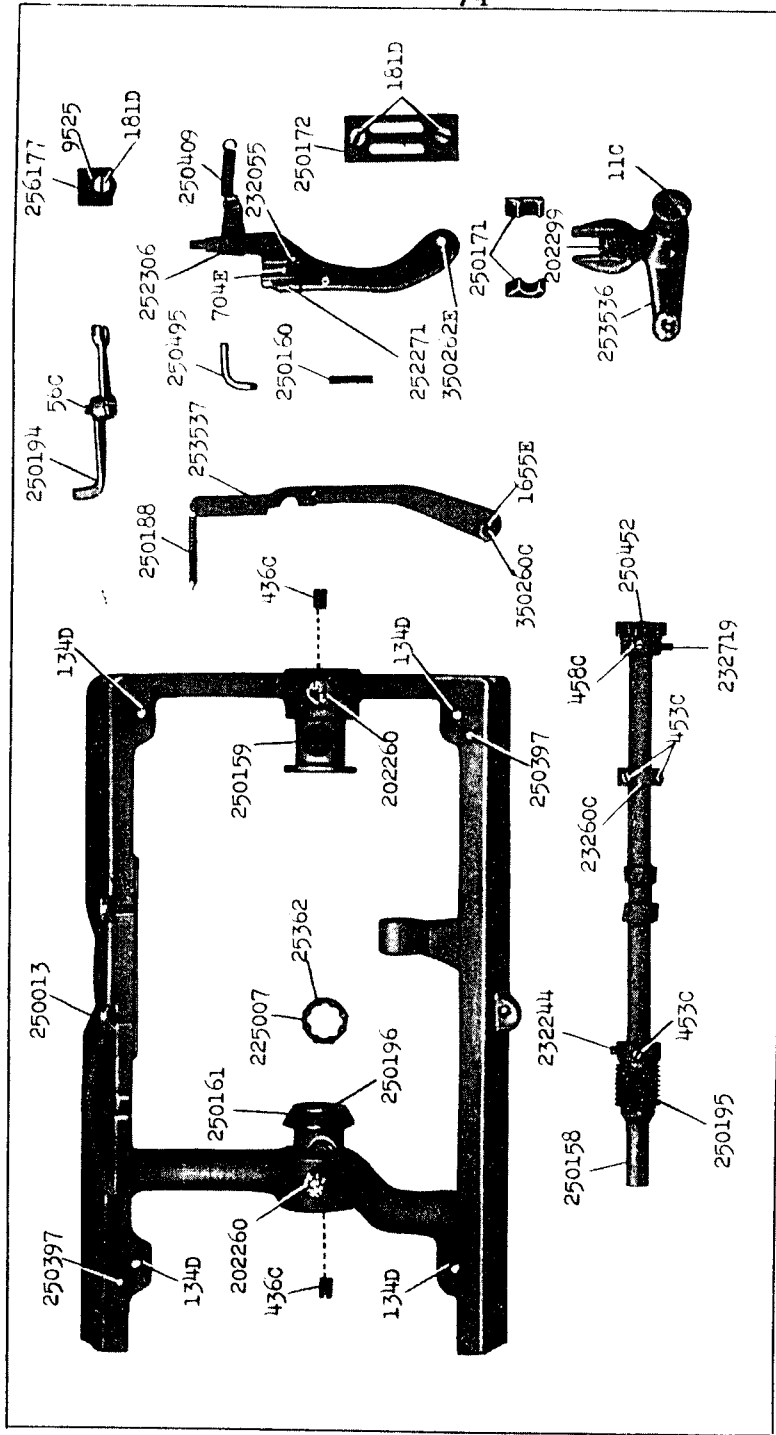


16365 - 2/3

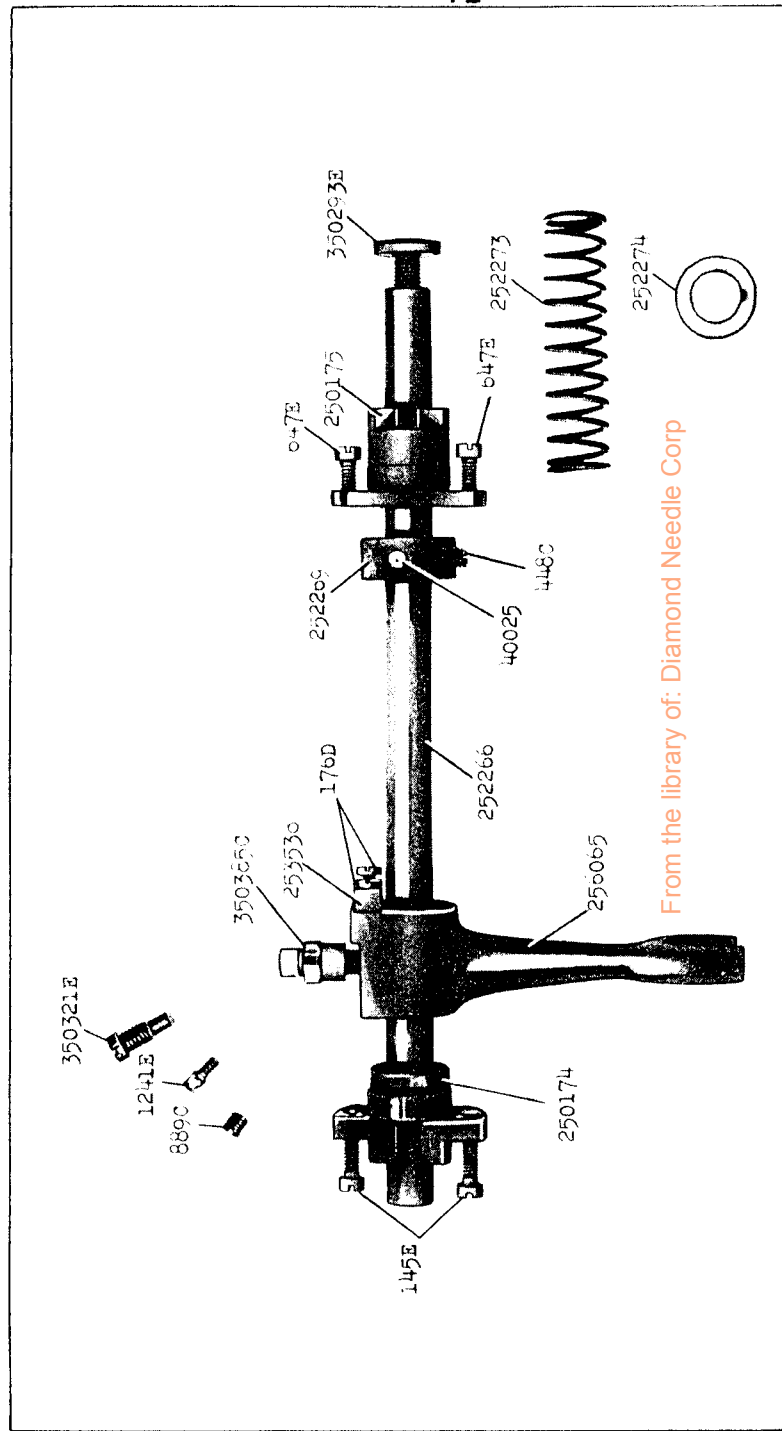


From the library of: Diamond Needle Corp

16367 - 1/4

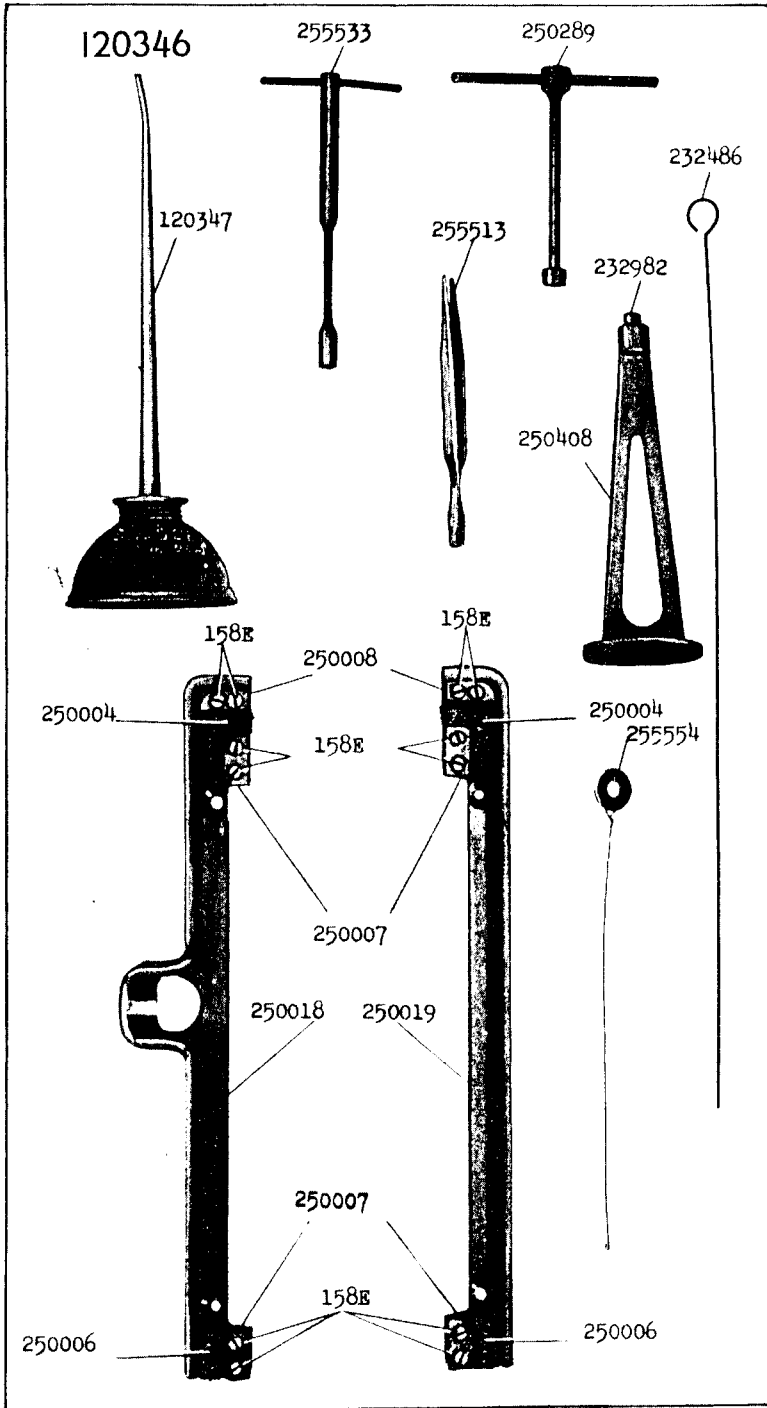


16372 - 1/2

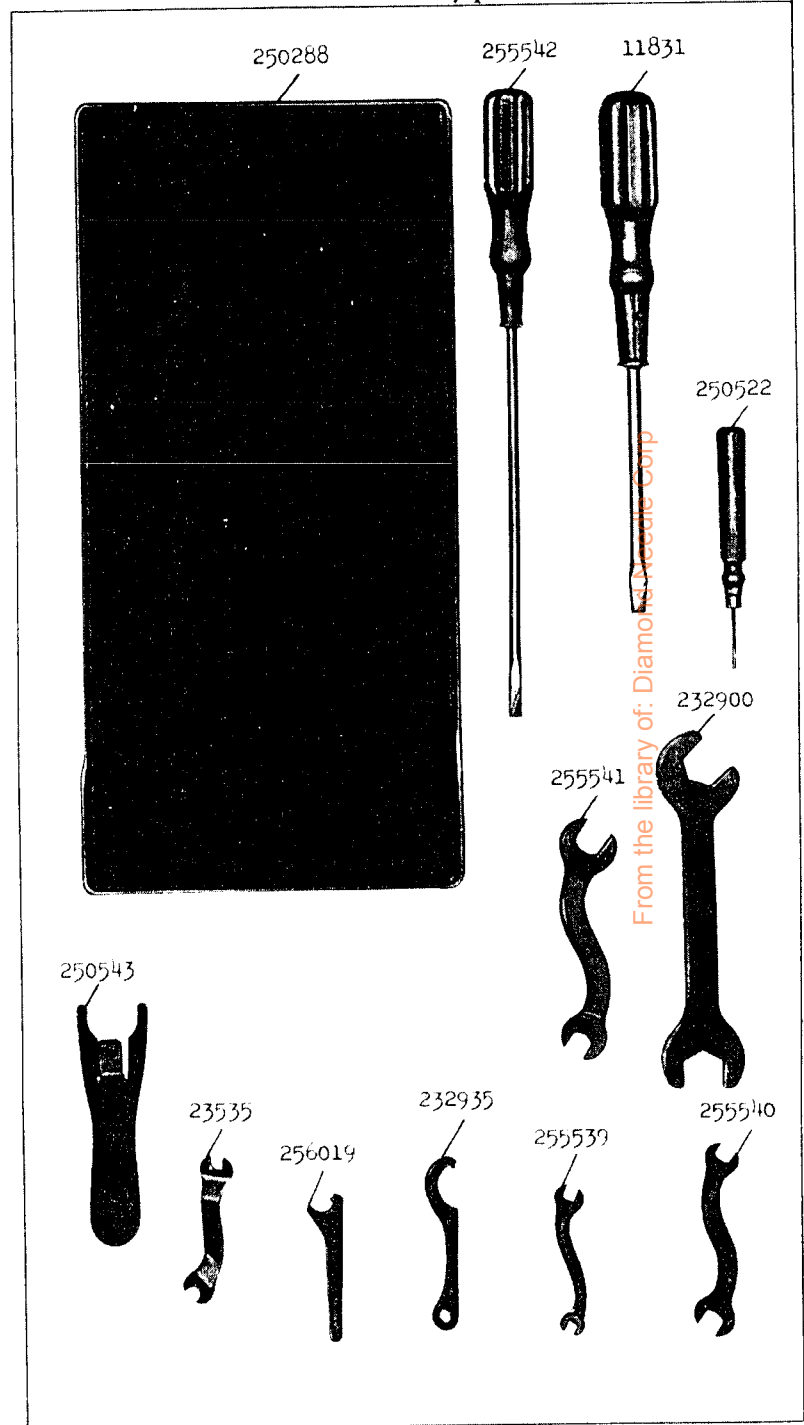


From the library of: Diamond Needle Corp

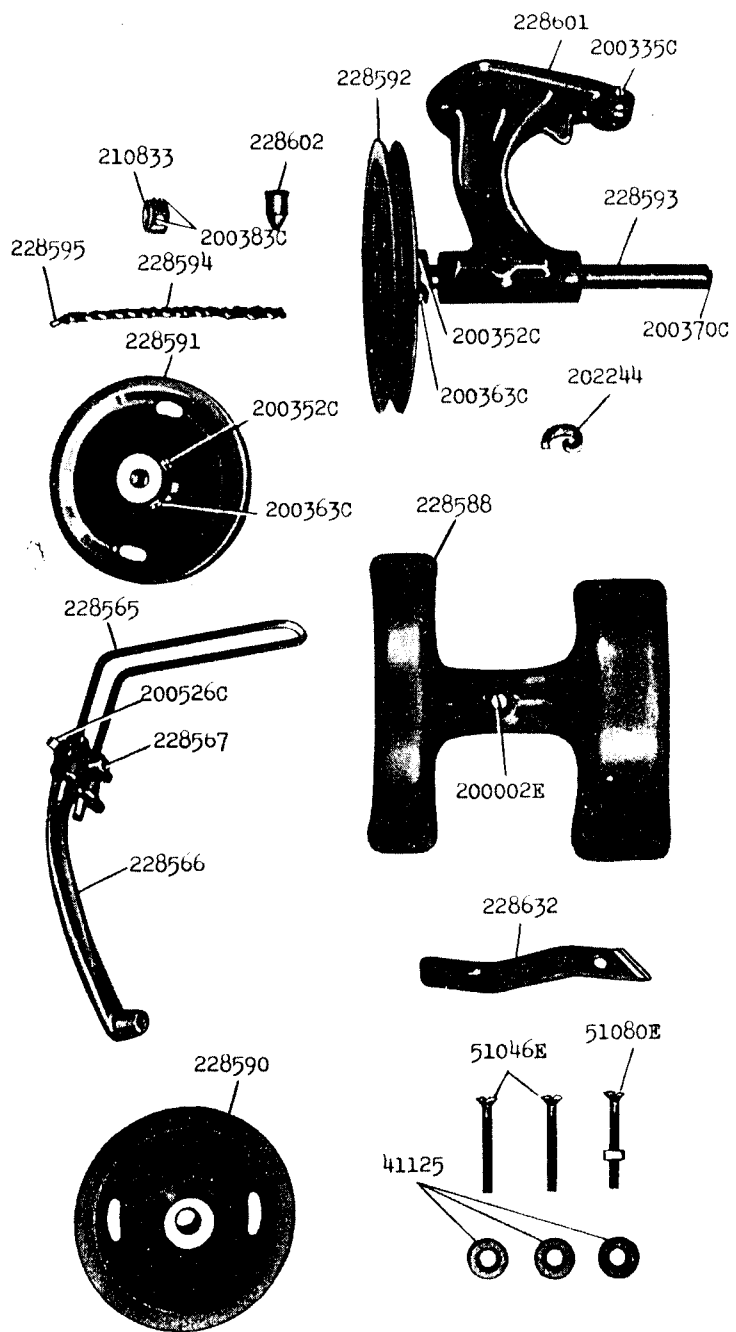
16382 - 1/4



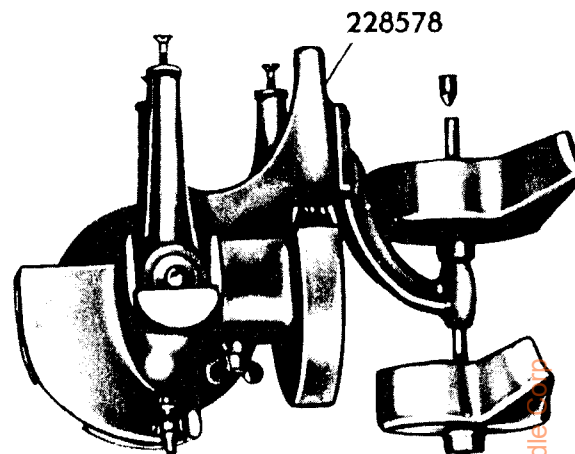
16383 - 1/4



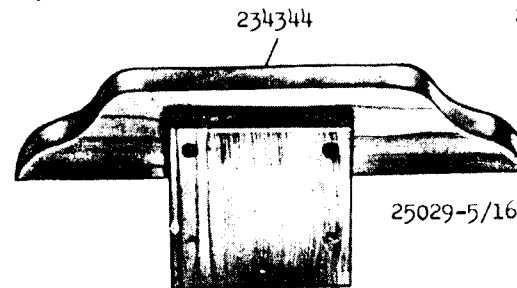
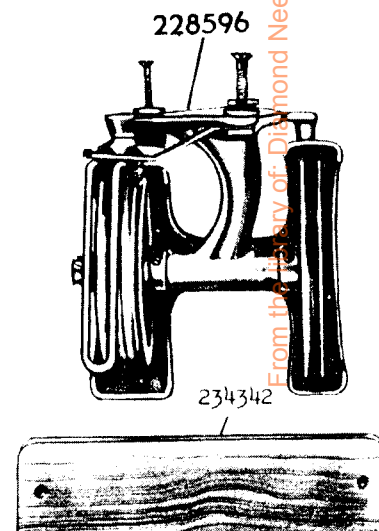
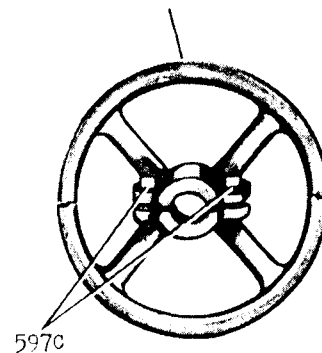
16387 - 1/5
228596



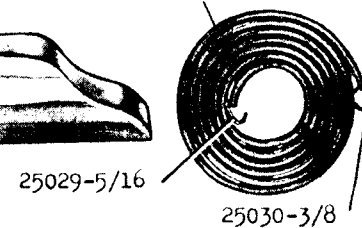
16388 - 1/6
228599



- | | |
|--------------|--------------|
| 27271-4 | 27068-8 |
| 232920-4-1/2 | 232882-8-1/2 |
| 27065-5 | 27069-9 |
| 232879-5-1/2 | 232883-9-1/2 |
| 27066-6 | 27070-10 |
| 232880-6-1/2 | 27072-12 |
| 27067-7 | 27074-14 |
| 232881-7-1/2 | 27075-15 |



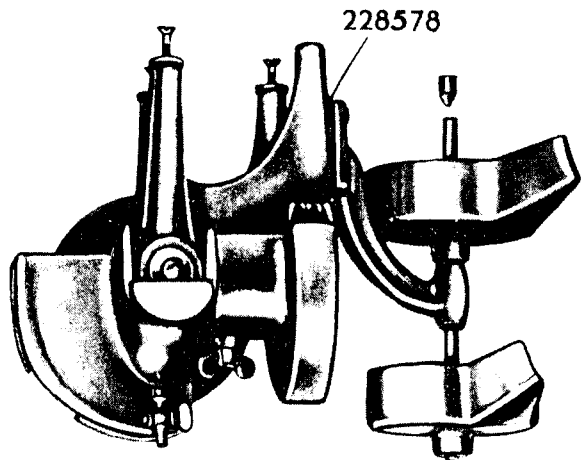
228628-5/16 x 83
228631-3/8 x 133



From the factory of Diamond Needle Co.

16389 - 1/6

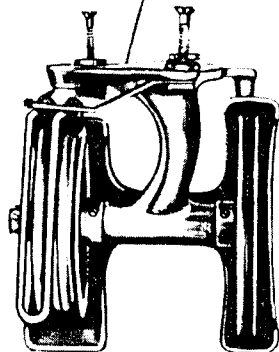
228609



228578

- 27271-4
- 232920-4-1/2
- 27065-5
- 232879-5-1/2
- 27066-6
- 232880-6-1/2
- 27067-7
- 232881-7-1/2
- 27068-8
- 232882-8-1/2
- 27069-9
- 232883-9-1/2
- 27070-10
- 27072-12
- 27074-14
- 27075-15

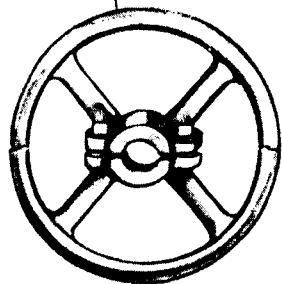
228596



228608



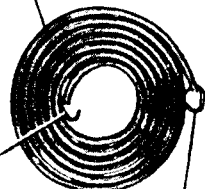
228628-5/16 x 83
228631-3/8 x 133



234344



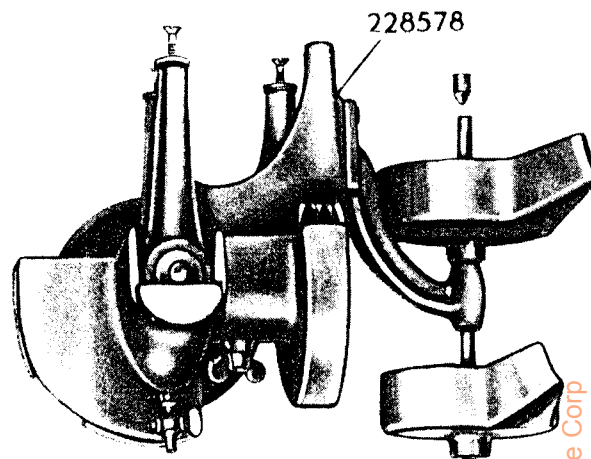
25029-5/16



25030-3/8

16390 - 1/6

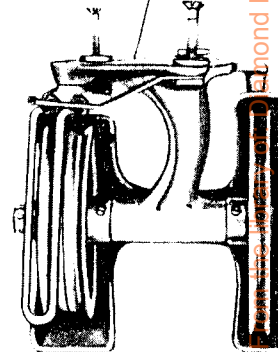
228611



228578

- 27271-4
- 232920-4-1/2
- 27065-5
- 232879-5-1/2
- 27066-6
- 232880-6-1/2
- 27067-7
- 232881-7-1/2
- 27068-8
- 232882-8-1/2
- 27069-9
- 232883-9-1/2
- 27070-10
- 27072-12
- 27074-14
- 27075-15

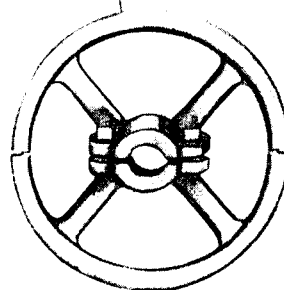
228596



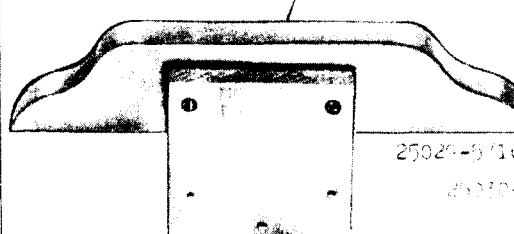
228610



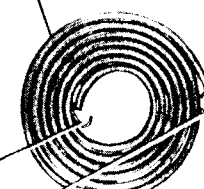
228628-5/16 x 83
228631-3/8 x 133



234344



25029-5/16

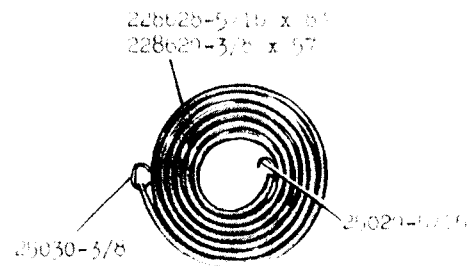
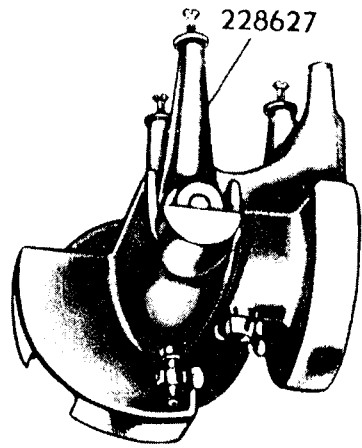


25030-3/8

Gold Thread Needle Corp

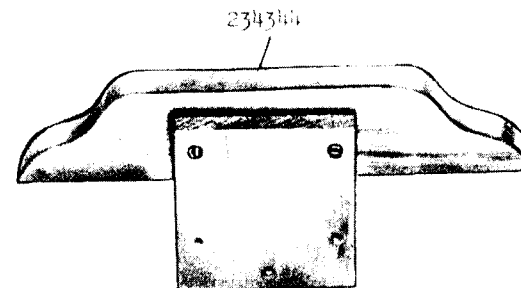
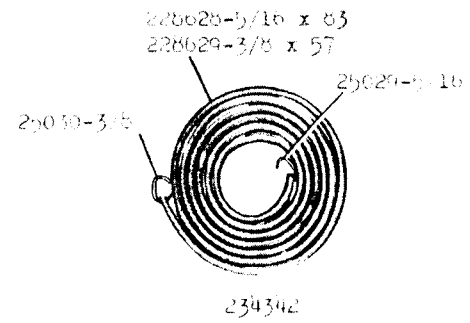
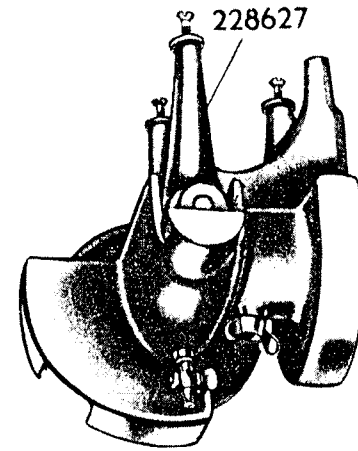
16391 - 1/6

228605



16392 - 1/6

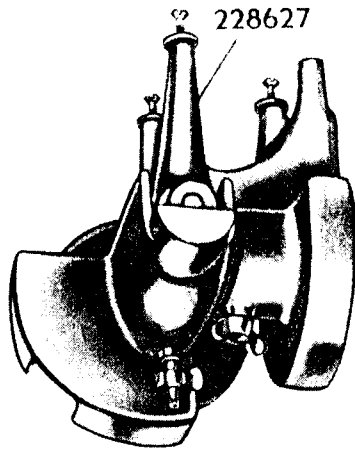
228612



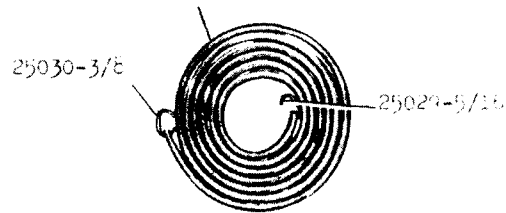
From the library of: Diamond Needle Corp

16393 - 1/6

228613



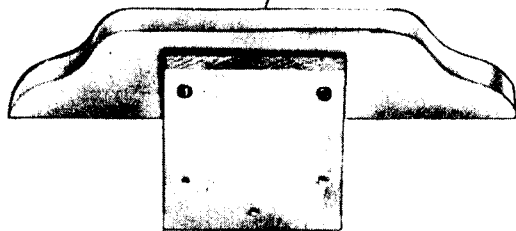
228625-5/16 x 53
228629-3/8 x 57



228610

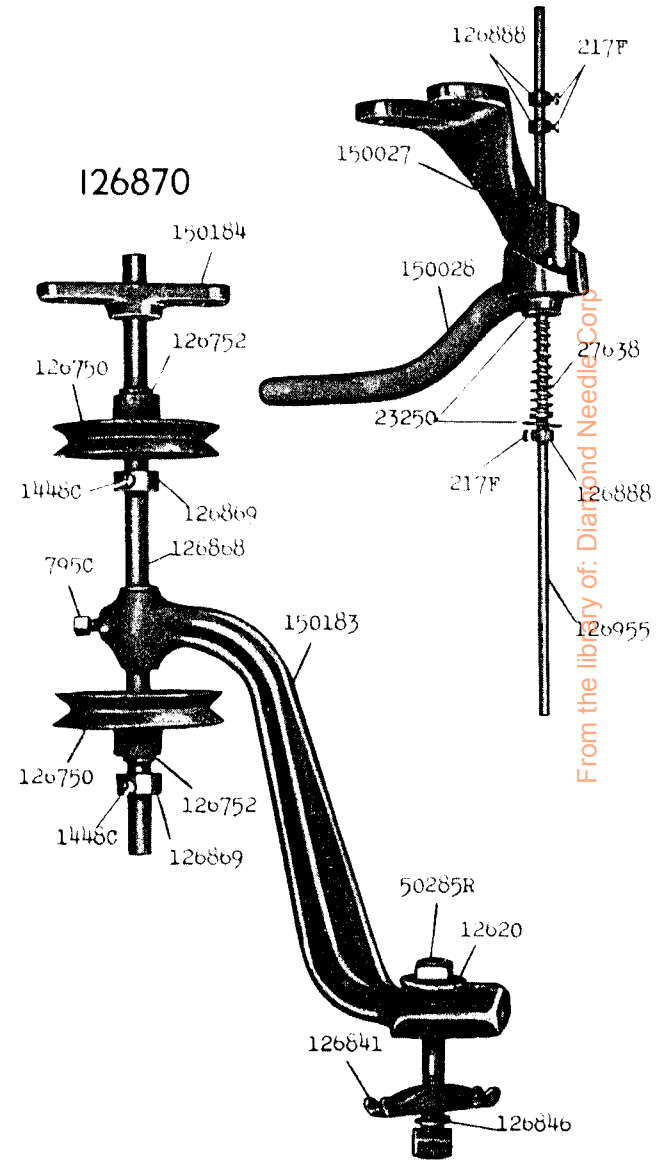


234344



16394 - 1/4

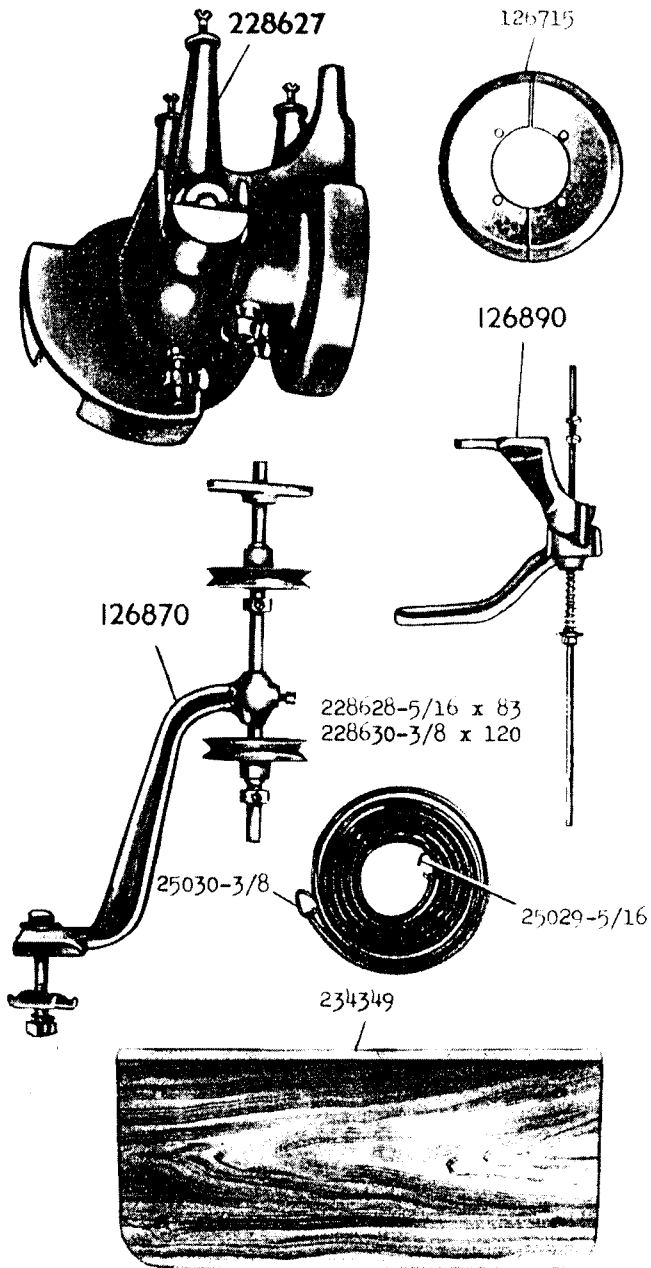
126890



From the library of: Diamond Needle Corp

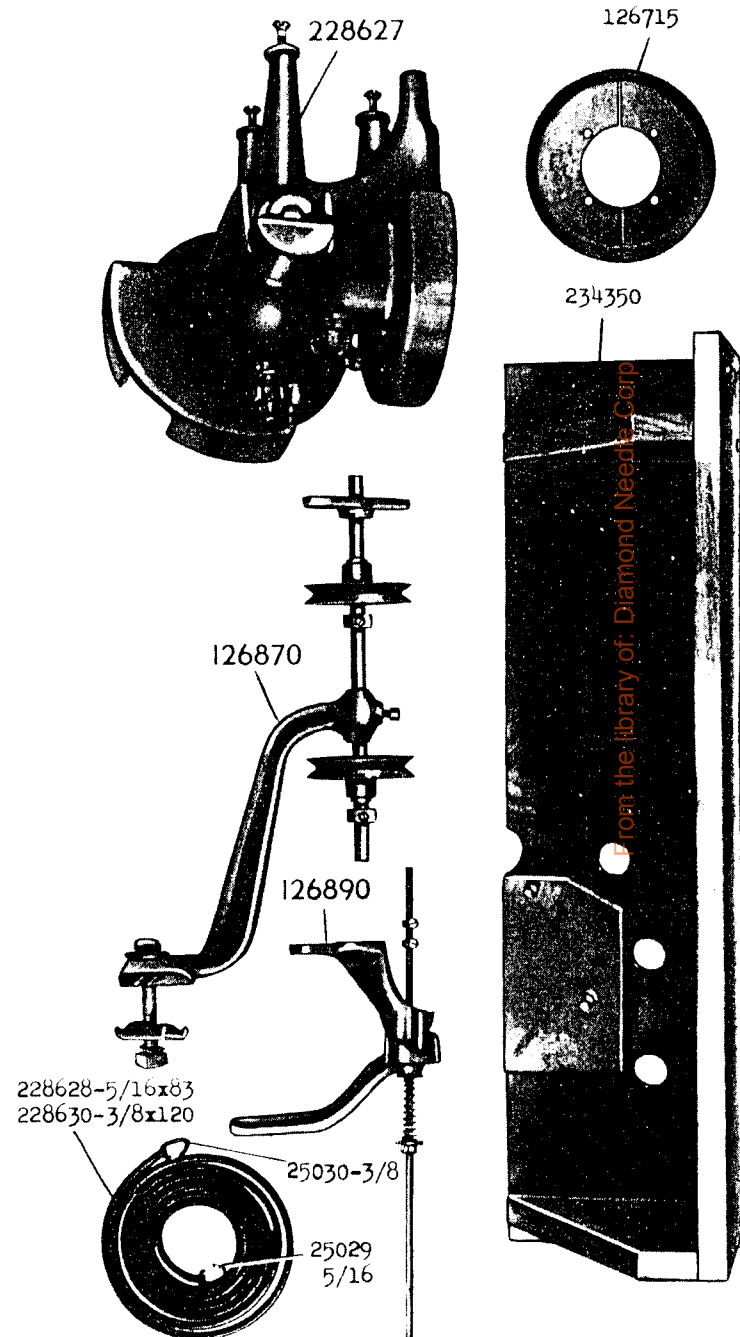
16395 - 1/6

228645



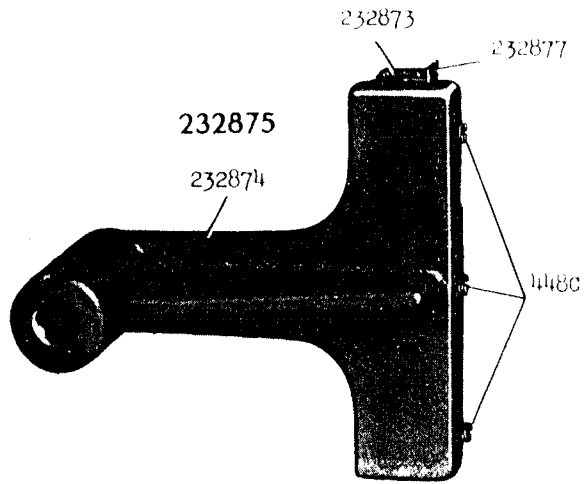
16396 - 1/6

228646

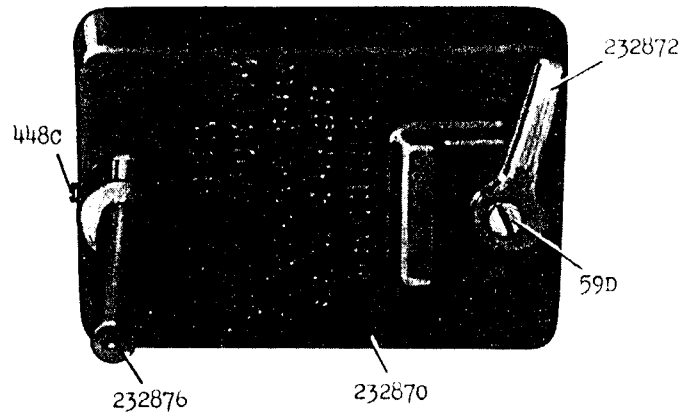


16401 - 1/2

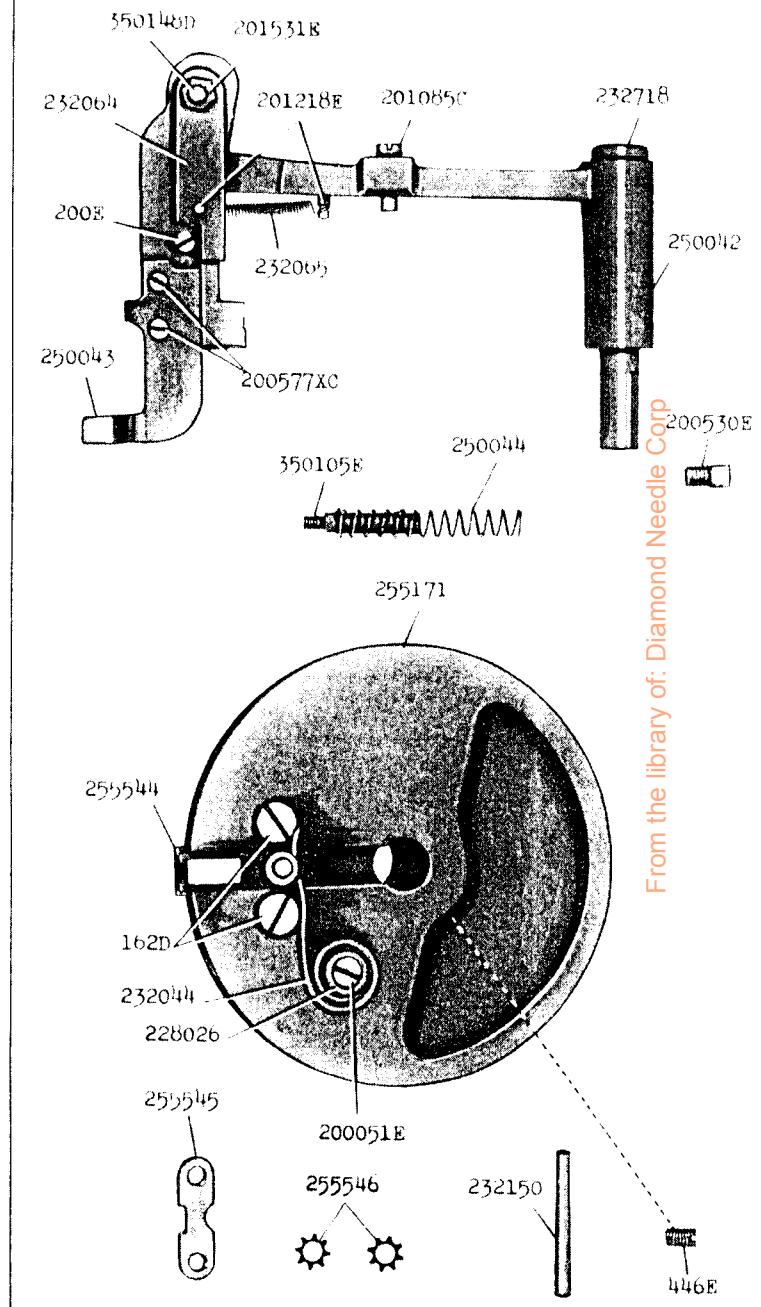
232878



232871

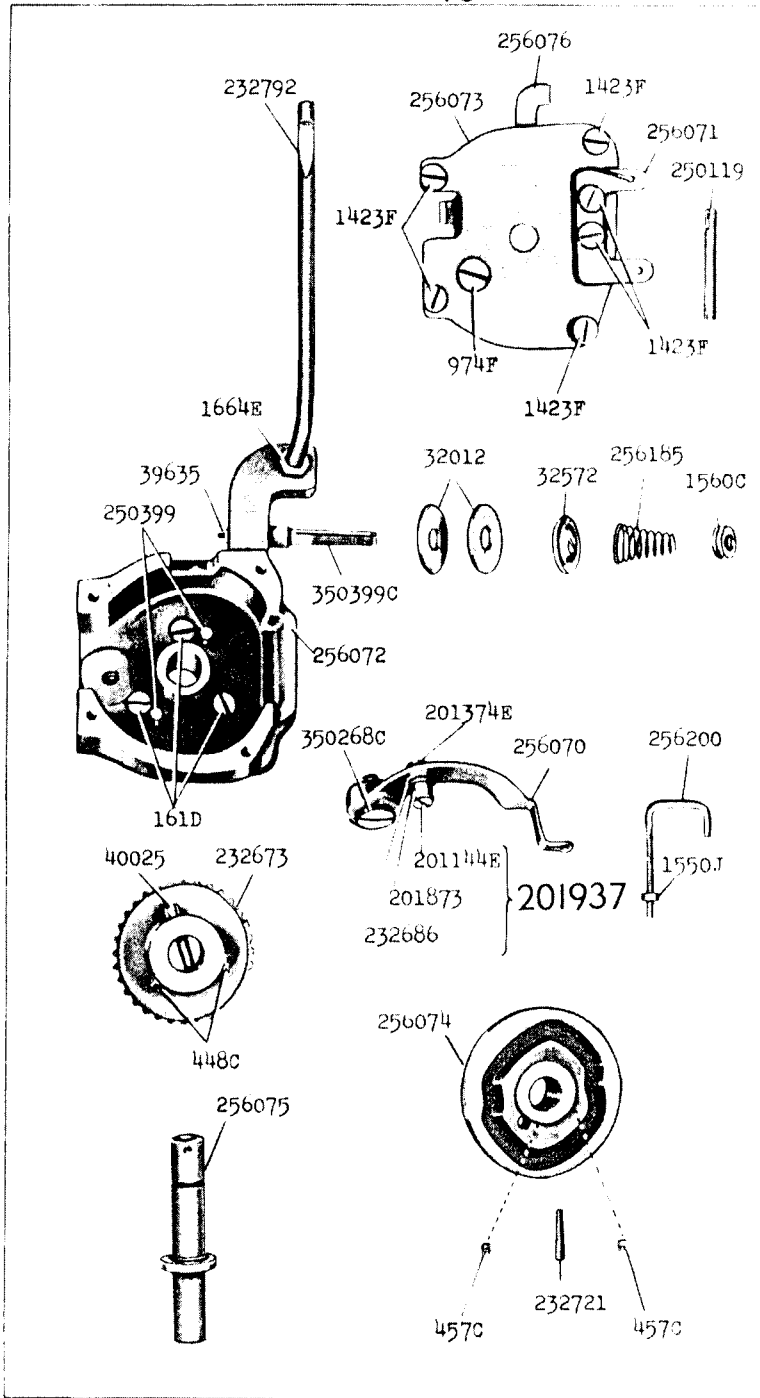


16406 - 1/2

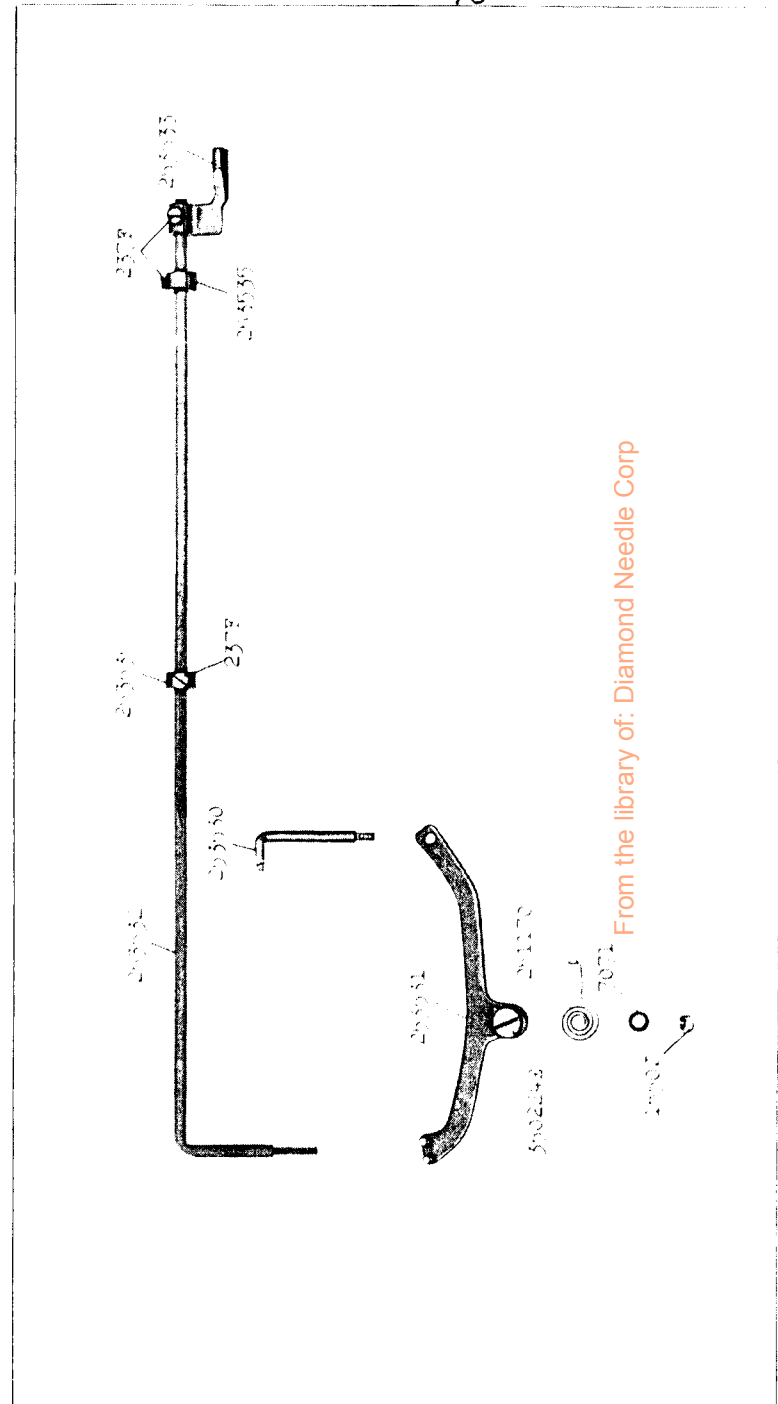


From the library of: Diamond Needle Corp

16410 - 3/8

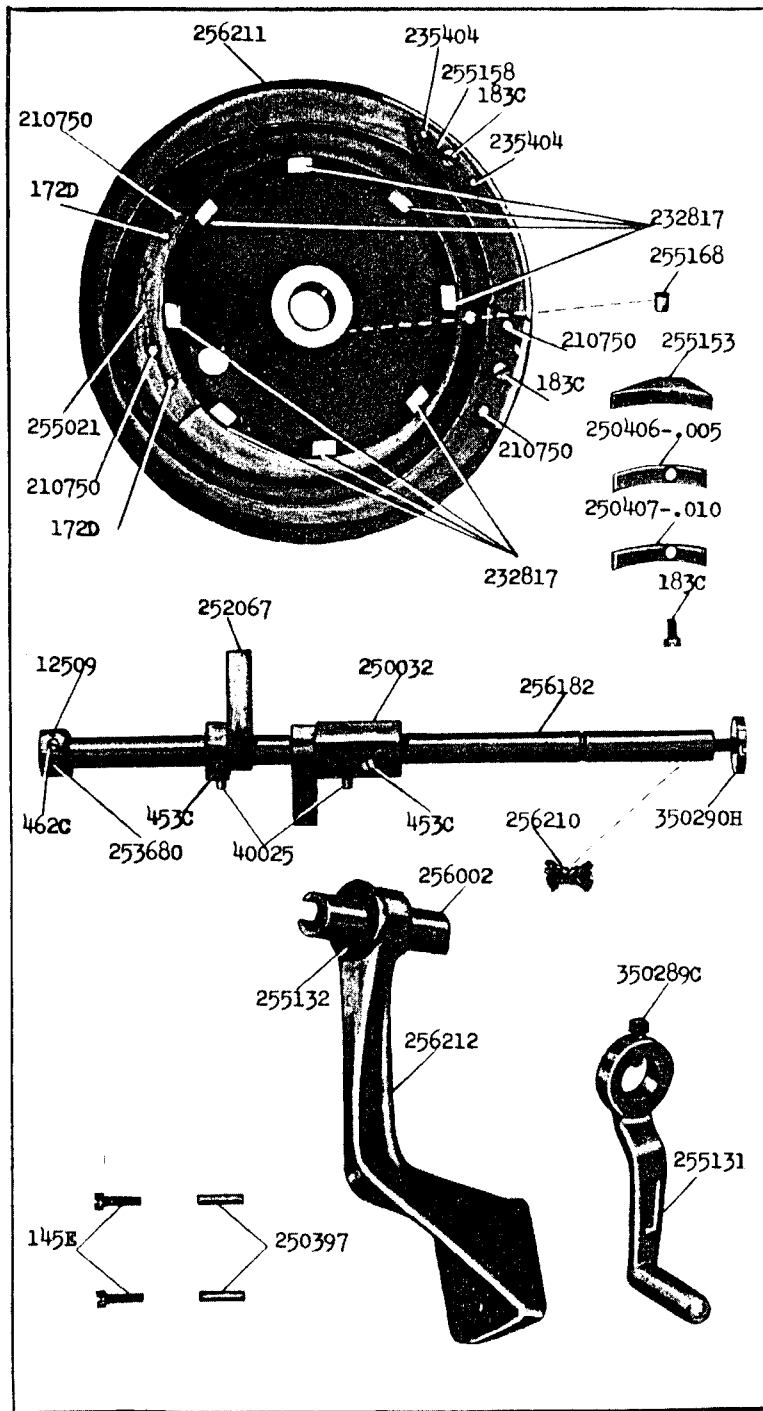


16415 - 3/8

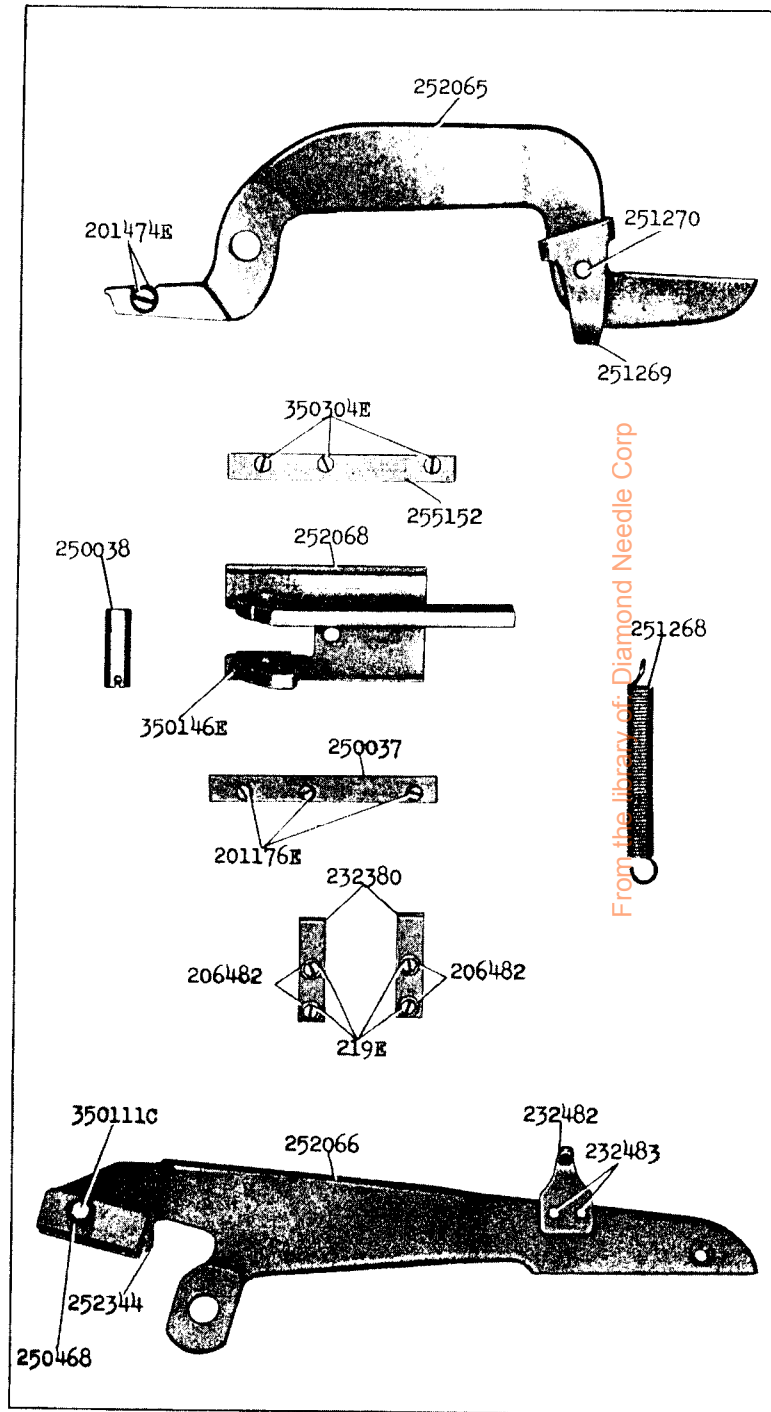


From the library of: Diamond Needle Corp

16450 - 1/3

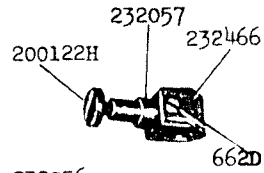
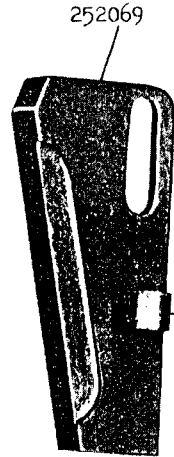
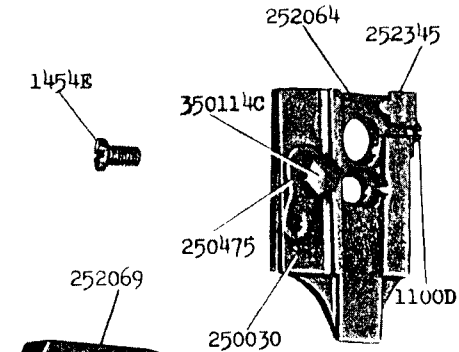


16456 - 1/3



From the library of: Diamond Needle Corp

- 253159 - 3/4
- 253160 - 7/8
- 253161 - 1
- 253162 - 1 1/8
- 253163 - 1 1/4
- 253164 - 1 3/8
- 253165 - 1 1/2
- 253166 - 1 5/8
- 253167 - 1 3/4
- 253168 - 1 7/8
- 253169 - 2



- 253170 - 3/4
- 253171 - 7/8
- 253172 - 1
- 253173 - 1 1/8
- 253174 - 1 1/4
- 253175 - 1 3/8
- 253176 - 1 1/2
- 253177 - 1 5/8
- 253178 - 1 3/4
- 253179 - 1 7/8
- 253180 - 2



252337
.100x.180



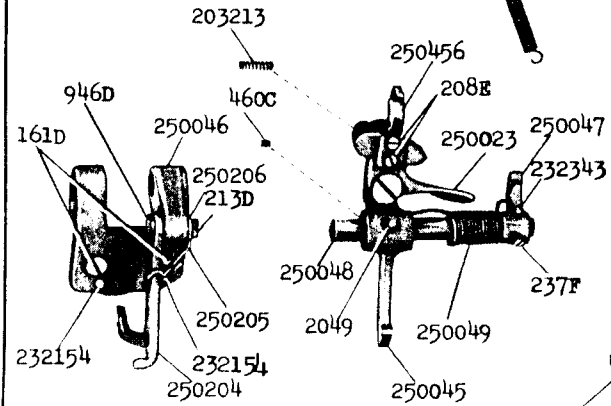
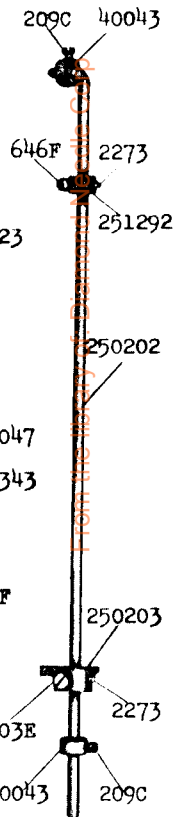
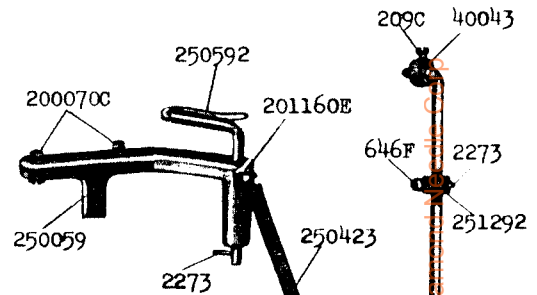
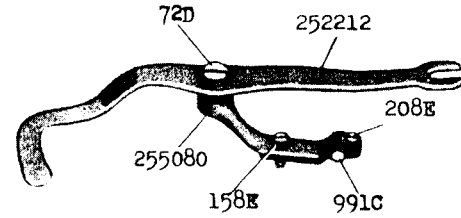
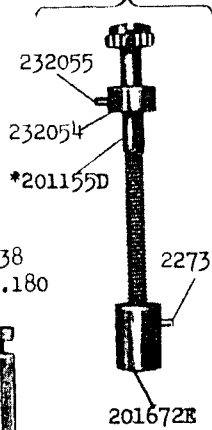
252339



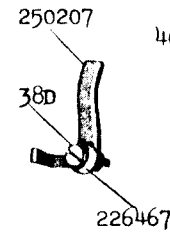
252338
.126x.180



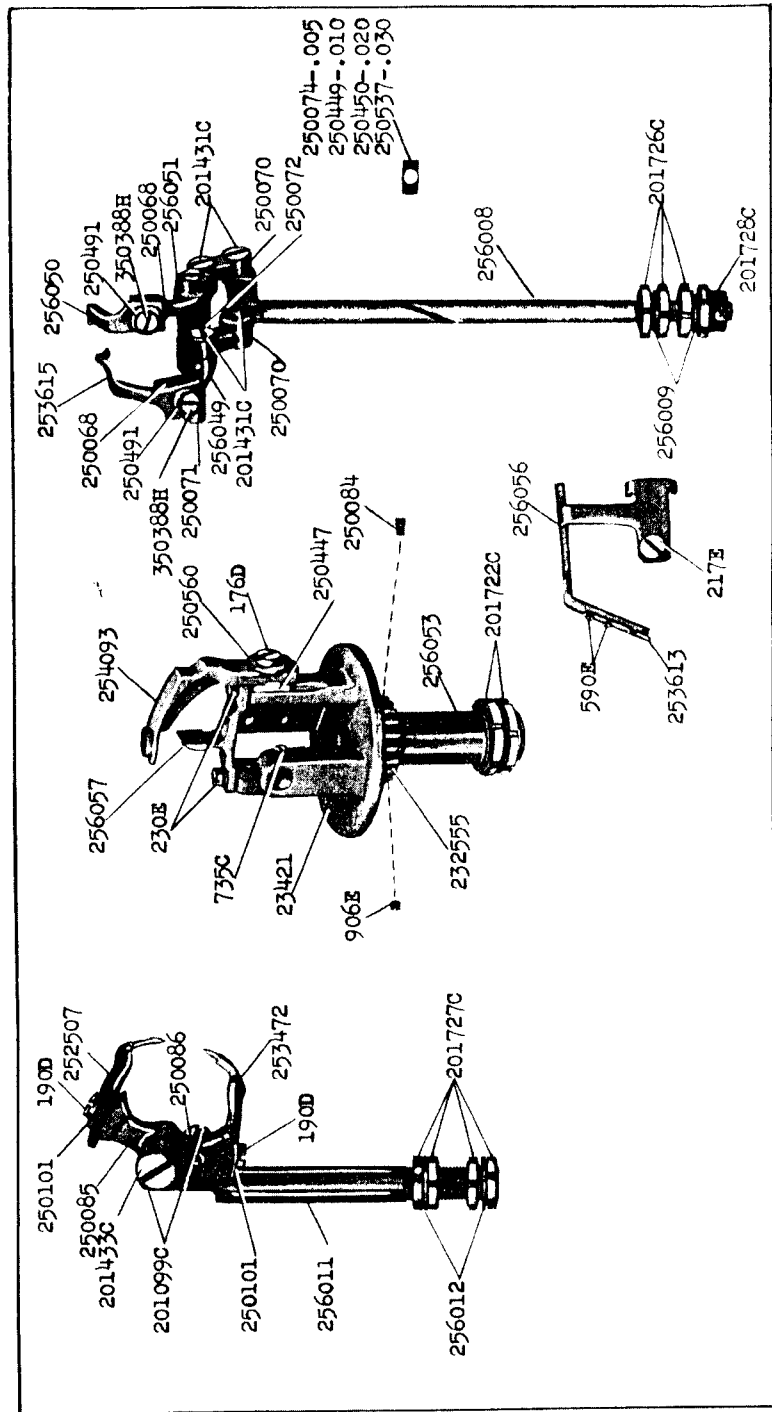
250538



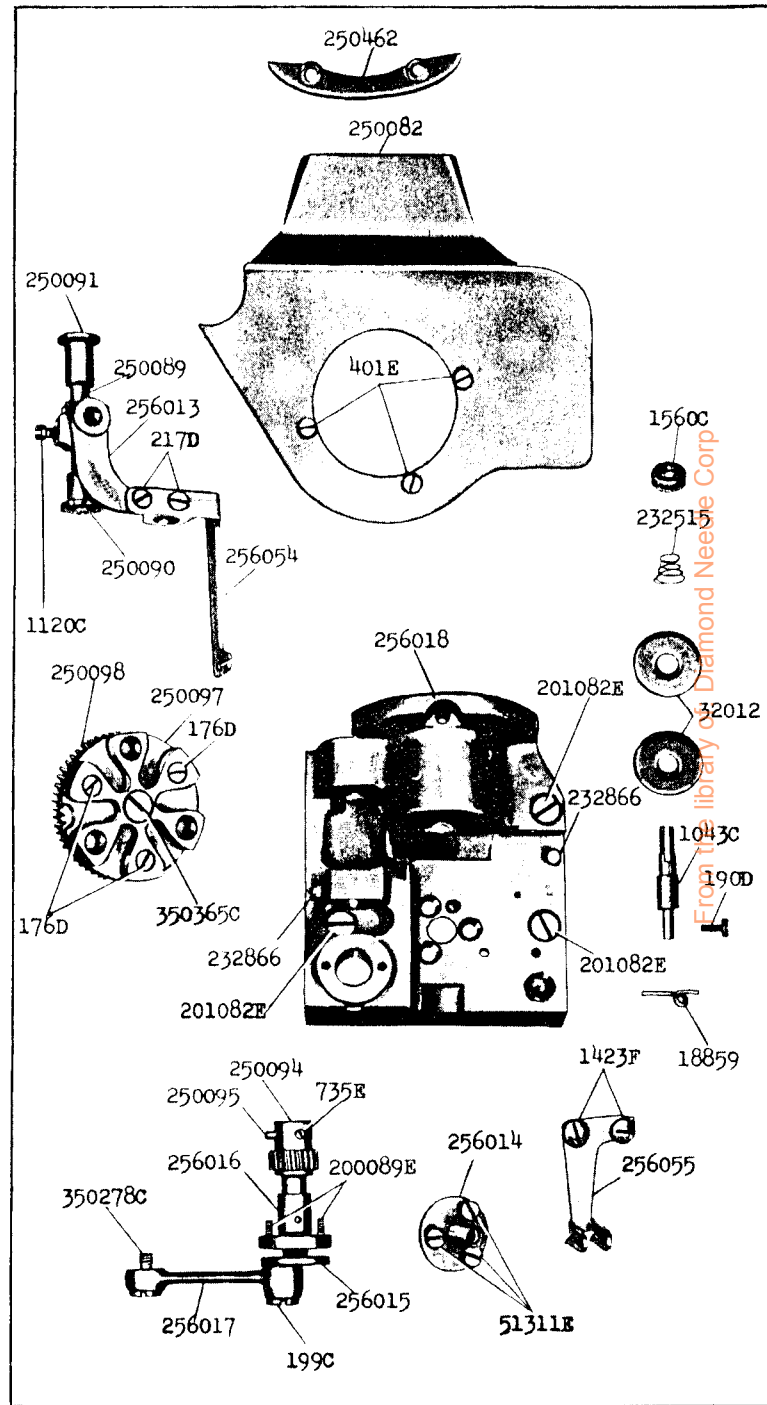
- 1521J
- 255063
- 255062
- 201432C



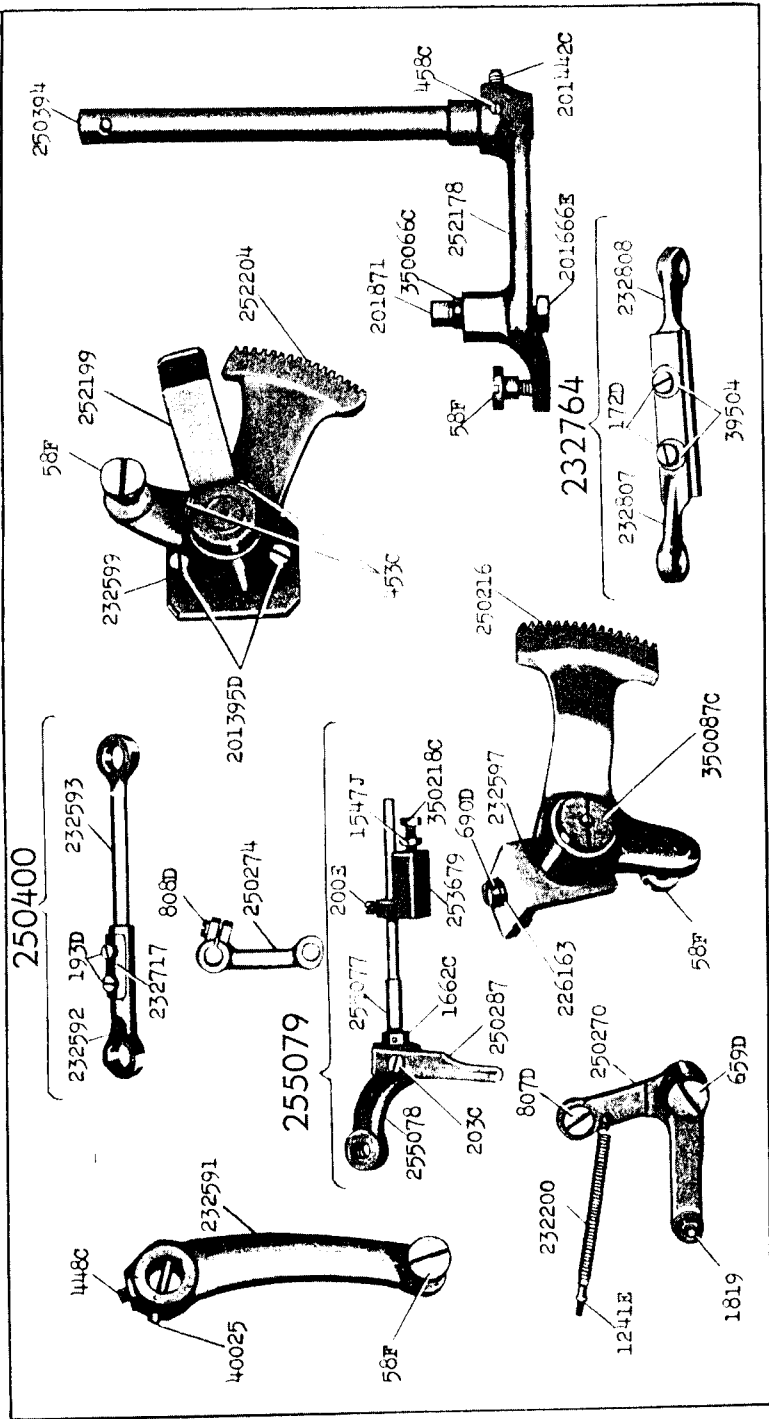
16459 - 1/2



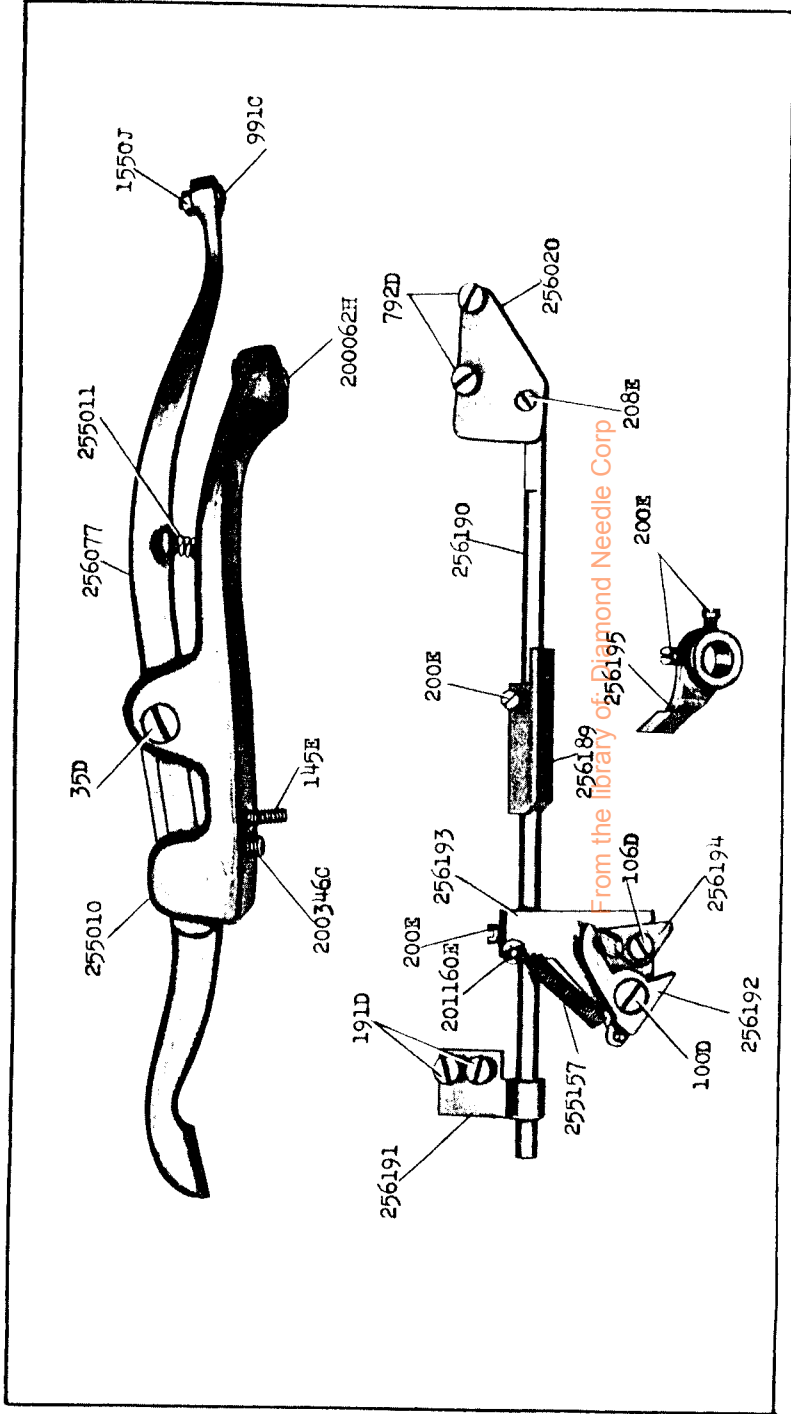
16460 - 3/8



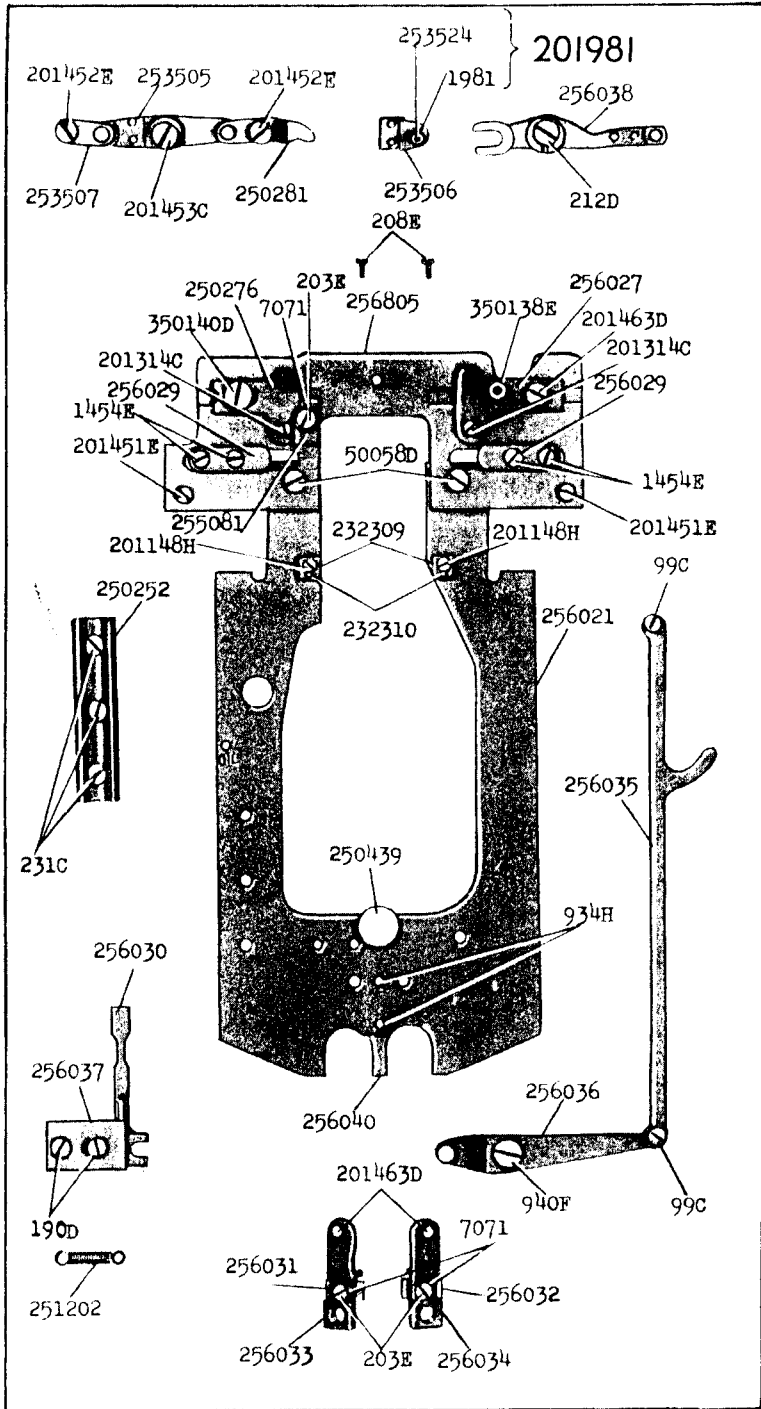
16463 - 3/8



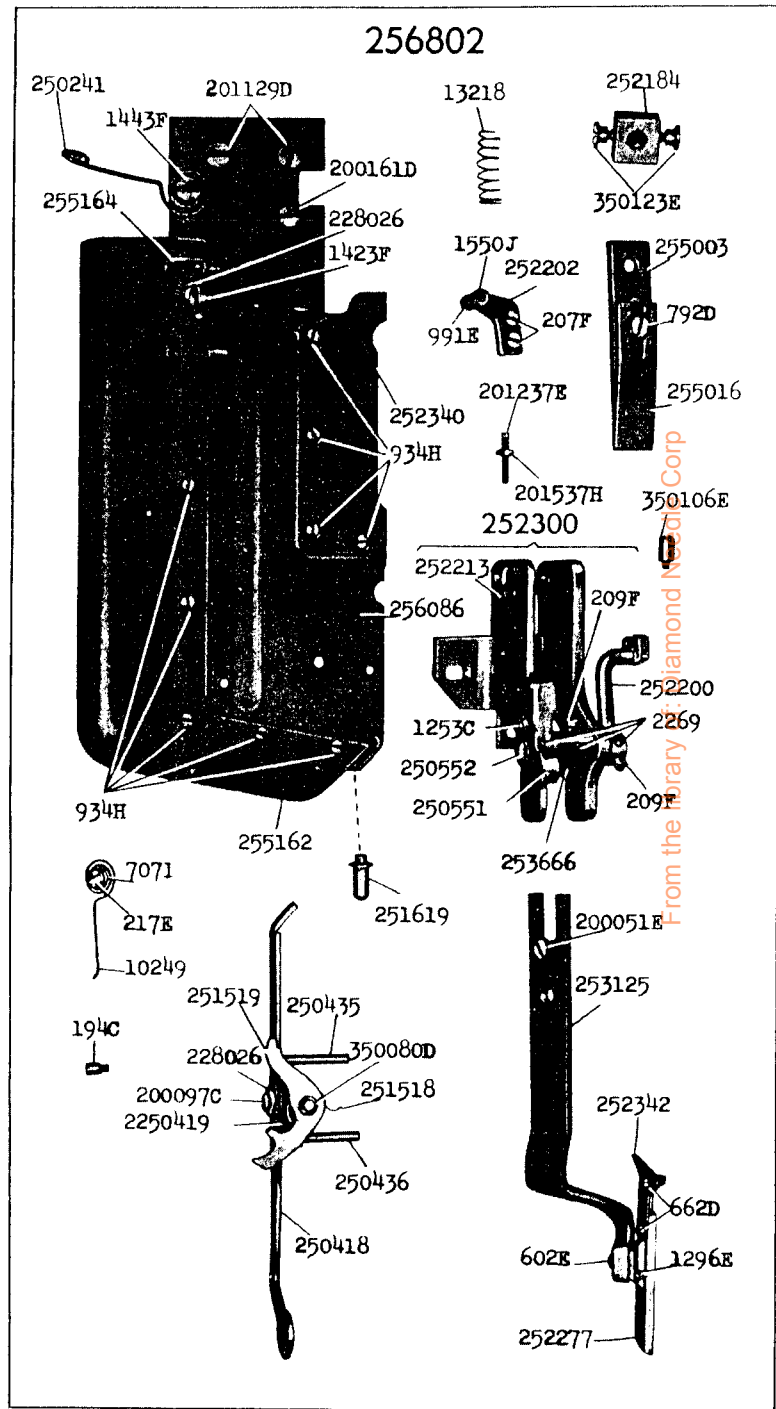
16464 - 1/2



16469 - 1/3



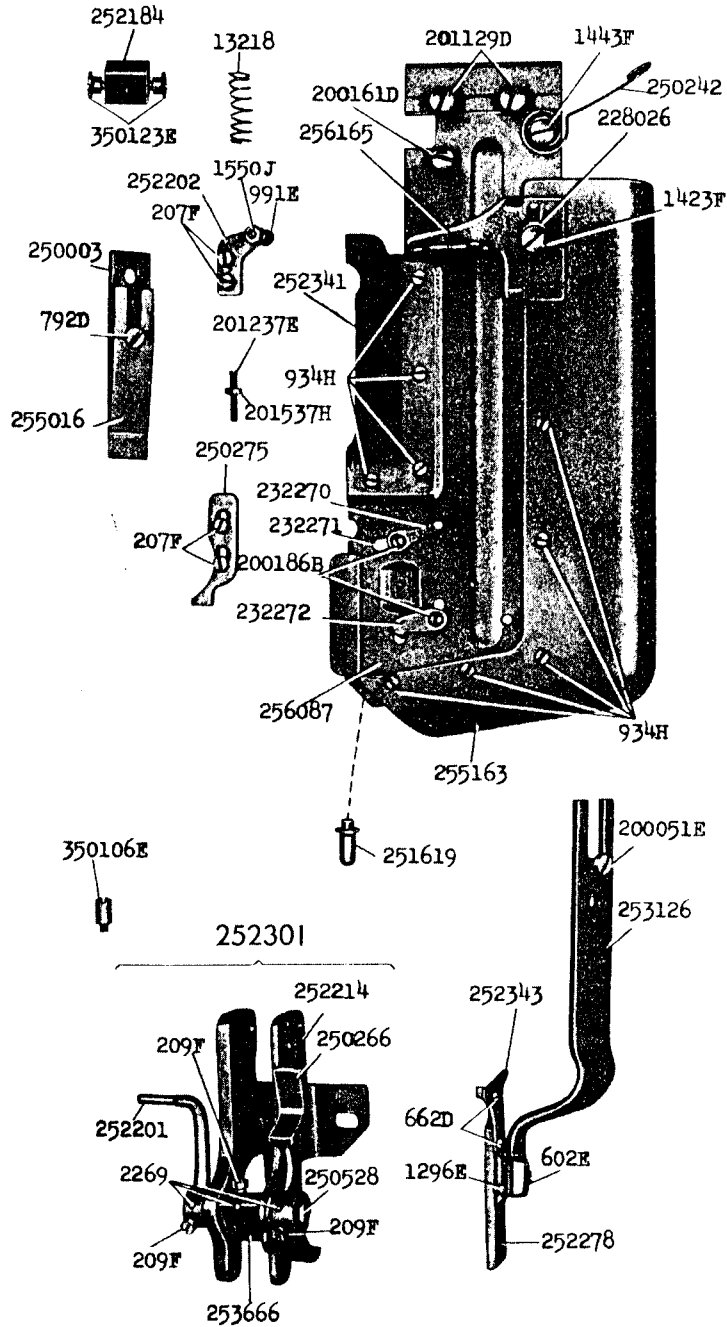
16470 - 3/8



From the Library of Diamond Needle Corp

16471 - 3/8

256803



16472 - 1/2

256829 - 7/8 Eye (M) & St.

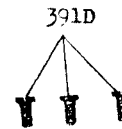
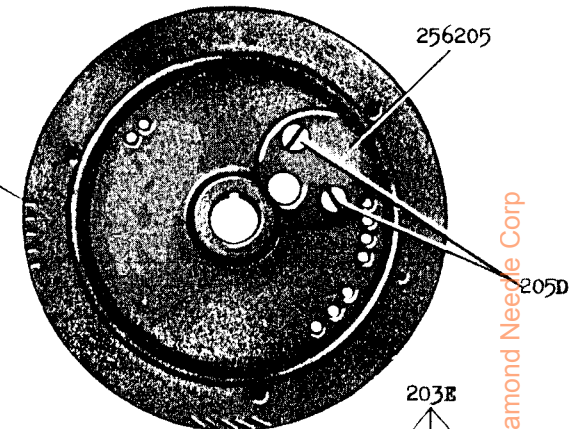
256831 - 1 1/8 " " " "

256833 - 1 3/8 " " " "

256835 - 1 5/8 " " " "

256837 - 1 7/8 " " " "

- 256828 - 7/8
- 256830 - 1 1/8
- 256832 - 1 3/8
- 256834 - 1 5/8
- 256836 - 1 7/8



256849 - 7/8

252293 - 1 1/8

252295 - 1 3/8

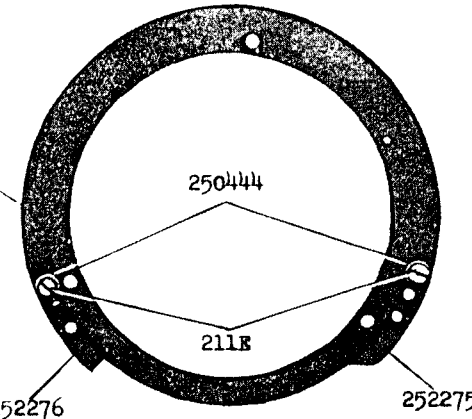
252297 - 1 5/8

252299 - 1 7/8



250372

- 256848 - 7/8
- 252259 - 1 1/8
- 252261 - 1 3/8
- 252263 - 1 5/8
- 252265 - 1 7/8

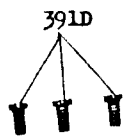
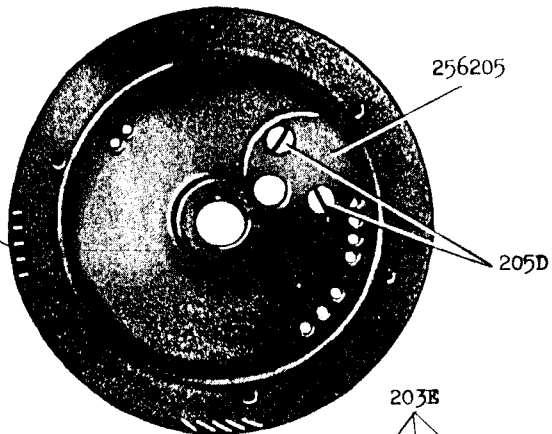


From the library of Diamond Needle Corp

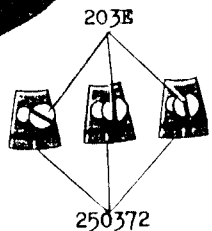
16473 - 1/2

- 256839 - 7/8 Eye (L) & St.
- 256841 - 1 1/8 " " " "
- 256843 - 1 3/8 " " " "
- 256845 - 1 5/8 " " " "
- 256847 - 1 7/8 " " " "

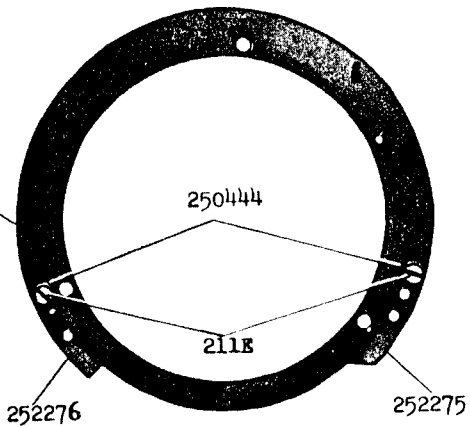
- 256838 - 7/8
- 256840 - 1 1/8
- 256842 - 1 3/8
- 256844 - 1 5/8
- 256846 - 1 7/8



- 256849 - 7/8
- 252293 - 1 1/8
- 252295 - 1 3/8
- 252297 - 1 5/8
- 252299 - 1 7/8



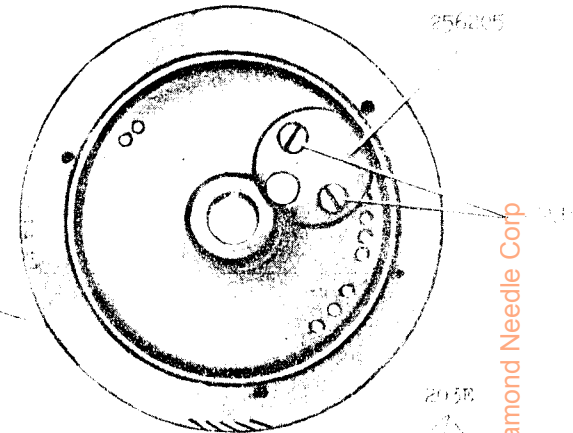
- 256841 - 7/8
- 252259 - 1 1/8
- 252261 - 1 3/8
- 252263 - 1 5/8
- 252265 - 1 7/8



16474 - 1/2

- | | |
|------------------------|--------------------------|
| 252216 - 3/4 T. B. (M) | 252224 - 1 1/4 T. B. (M) |
| 252218 - 7/8 " " " | 252226 - 1 3/8 " " " |
| 252220 - 1 " " " | 252228 - 1 1/2 " " " |
| 252222 - 1 1/8 " " " | 252232 - 1 3/4 " " " |

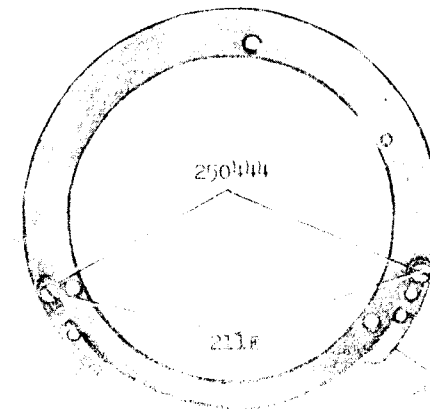
- 252215 - 3/4
- 252217 - 7/8
- 252219 - 1
- 252221 - 1 1/8
- 252223 - 1 1/4
- 252225 - 1 3/8
- 252227 - 1 1/2
- 252231 - 1 3/4



- 252292 - 3/4
- 252293 - 7/8
- 252294 - 1
- 252295 - 1 1/8
- 252296 - 1 1/4
- 252297 - 1 3/8
- 252298 - 1 1/2
- 252299 - 1 3/4



- 252258 - 3/4
- 252259 - 7/8
- 252260 - 1
- 252261 - 1 1/8
- 252262 - 1 1/4
- 252263 - 1 3/8
- 252264 - 1 1/2
- 252265 - 1 3/4

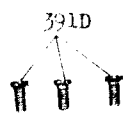
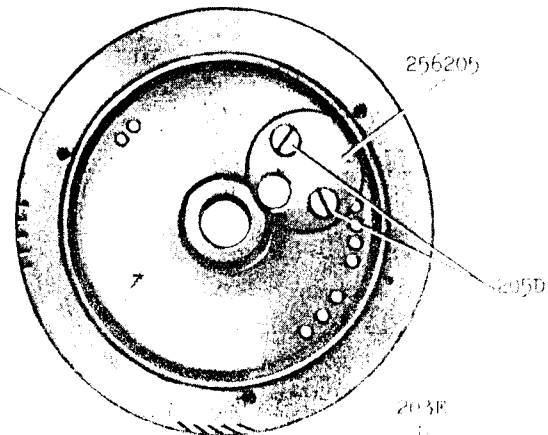


From the library of Diamond Needle Corp

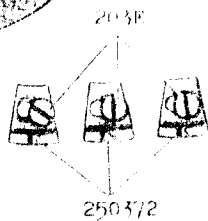
16475 - 1/2

256807 - 3/4 T.B.(L)	256815 - 1 1/4 T.B.(L)
256809 - 7/8 " " "	256817 - 1 3/8 " " "
256811 - 1 " " "	256819 - 1 1/2 " " "
256813 - 1 1/8 " " "	256821 - 1 3/4 " " "

256806 - 3/4
 256808 - 7/8
 256810 - 1
 256812 - 1 1/8
 256814 - 1 1/4
 256816 - 1 3/8
 256818 - 1 1/2
 256820 - 1 3/4



252291 - 3/4
 252293 - 7/8
 252294 - 1
 252295 - 1 1/8
 252296 - 1 1/4
 252297 - 1 3/4
 252298 - 1 1/2
 252299 - 1 3/4



252258 - 3/4
 252259 - 7/8
 252260 - 1
 252261 - 1 1/8
 252262 - 1 1/4
 252263 - 1 3/8
 252264 - 1 1/2
 252265 - 1 3/4

